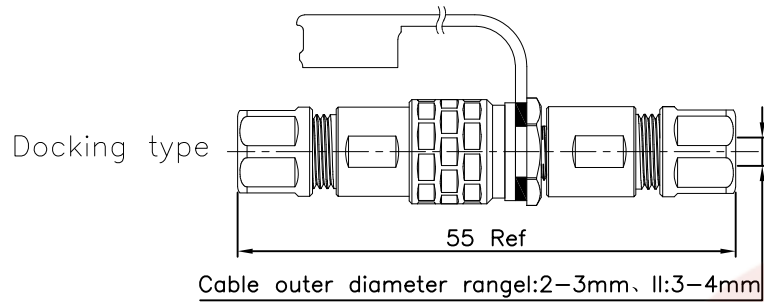


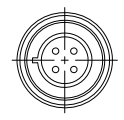
The information provided herein is from CONNFLY Electronic Co., Ltd. and is confidential. Any disclosure to a party other than the recipient is prohibited. The intellectual properties and its rights of CONNFLY Electronic Co., Ltd. are strictly protected. Any modification is strictly prohibited without prior written consent from CONNFLY. All intellectual properties provided herein are for reference purposes only and does not constitute authorization of its use in any format or manner. CONNFLY may enforce its intellectual property rights at its own discretion; failures or delays to exercise such rights does not constitute a waiver of such rights.

1 2 3 4 5 6 7 8

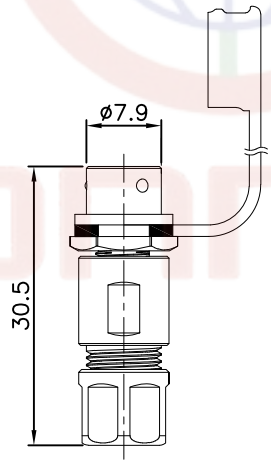
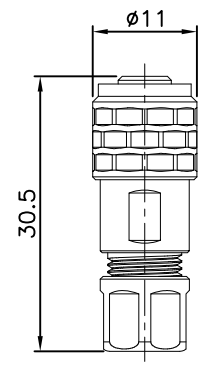
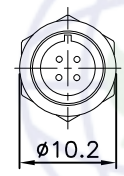
REV.	DESCRIPTION	DRAWN	CHECKED	APPROVED
A	NEW RELEASE	WPY 02/08/25'		



Male



Female



Note:

Specifications:

1. Rated voltage: 30V
2. Rated current: 3A
3. Contact resistance: 10mΩ
4. Withstand voltage: 500V
5. Operating temperature: -40°C to +85°C
6. Wiring method: Solder

Materials:

1. Shell material: Brass with chrome plating
2. Insulation material: PPS
High temperature resistance 260°C
3. IP rating: IP67
4. Contact material: Brass with gold plating

Product Number Code:

DS1110-66-X X X X X X

- Install Type:
A: Docking type
- Cable diameter:
1: 2-3mm 2: 3-4mm
- Contact Plating:
8: Gold flash
- Color of shell:
B: Black
- Color of housing:
B: Black
- No. of Contacts:
2 3 4 5

GENERAL TOLERANCE		ANGLE TOLERANCE	
X.	±0.60	X.	±5°
.X	±0.38	.X	±3°
.XX	±0.25	.XX	±2°

DRAWING TYPE	CUSTOMER		
SCALE	1:1	SHEET	1 OF 4
DRAWING NO.	C-DS1110-66-XXXXXX-A		

PROJECTION	TITLE
	6mm push-in fast locking aviation plug (Anodized aluminium)
UNITS	mm
SHEET SIZE	A4
SERIES	DS1110-66 Series

晨翔电子有限公司
CONNFLY CONNFLY ELECTRONIC CO. LTD

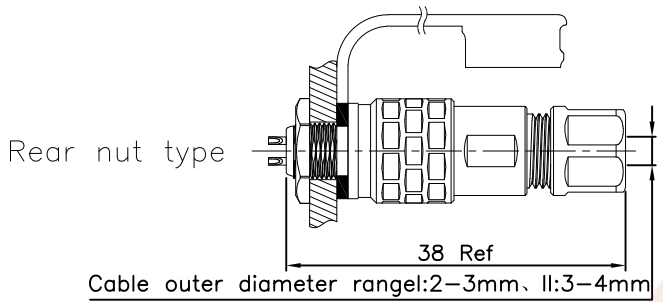
1 2 3 4 5 6 7 8

The information provided herein is from CONNELY Electronic Co., Ltd. and is confidential. Any disclosure to a party other than the recipient is prohibited. The intellectual properties and its rights of CONNELY Electronic Co., Ltd. are strictly protected. Any modification is strictly prohibited without prior written consent from CONNELY. All intellectual properties provided herein are for reference purposes only and does not constitute authorization of its use in any format or manner. CONNELY may enforce its intellectual property rights at its own discretion; failures or delays to exercise such rights does not constitute a waiver of such rights.

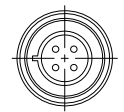
1 2 3 4 5 6 7 8

Dept	Qty
DC	1
ED	1
IE	1
ISO	1
PD	1
R&D	1
SD	1
QA	1
QC	1
QE	1

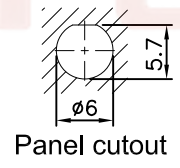
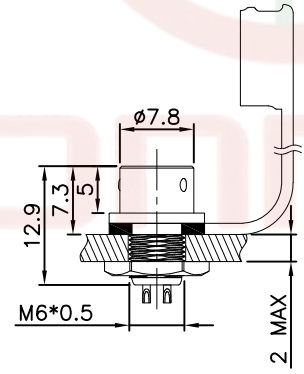
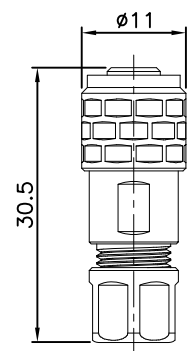
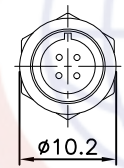
REV.	DESCRIPTION	DRAWN	CHECKED	APPROVED
A	NEW RELEASE	WPY 02/08/25'		



Male



Female



Note:

Specifications:

1. Rated voltage:30V
2. Rated current:3A
3. Contact resistance:10mΩ
4. Withstand voltage:500V
5. Operating temperature: -40°C to +85°C
6. Wiring method: Solder

Materials:

1. Shell material: Brass with chrome plating
2. Insulation material: PPS
High temperature resistance 260°C
3. IP rating:IP67
4. Contact material: Brass with gold plating

Product Number Code:

DS1110-66-X X X X X X

- Install Type:
B:Rear nut type
- Cable diameter:
1:2-3mm 2:3-4mm
- Contact Plating:
8:Gold flash
- Color of shell:
B:Black
- Color of housing:
B:Black
- No.of Contacts:
2 3 4 5



GENERAL TOLERANCE		ANGLE TOLERANCE		PROJECTION		TITLE	6mm push-in fast locking aviation plug (Anodized aluminium)
X.	±0.60	X.	±5°	UNITS	mm	SHEET	2 OF 4
.X	±0.38	.X	±3°	SHEET SIZE	A4	SERIES	DS1110-66 Series
.XX	±0.25	.XX	±2°	DRAWING TYPE			
DRAWING TYPE		CUSTOMER		DRAWING NO.			
SCALE		1:1		C-DS1110-66-XXXXXX-A			

晨翔电子有限公司

CONNFLY CONNELY ELECTRONIC CO. LTD

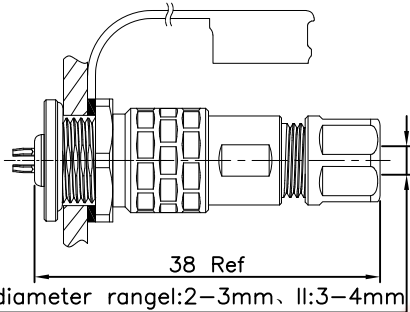
1 2 3 4 5 6 7 8

Dept	
Qty	
DC	1
ED	1
IE	1
ISO	1
PD	1
R&D	1
SD	1
QA	1
QC	1
QE	1

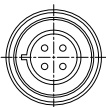
The information provided herein is from CONNELY Electronic Co., Ltd. and is confidential. Any disclosure to a party other than the recipient is prohibited. The intellectual properties and its rights of CONNELY Electronic Co., Ltd. are strictly protected. All intellectual properties provided herein are for reference purposes only and does not constitute authorization of its use in any format or manner. CONNELY may enforce its intellectual property rights at its own discretion; failures or delays to exercise such rights does not constitute a waiver of such rights.

REV.	DESCRIPTION	DRAWN	CHECKED	APPROVED
A	NEW RELEASE	WPY 02/08/25'		

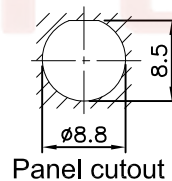
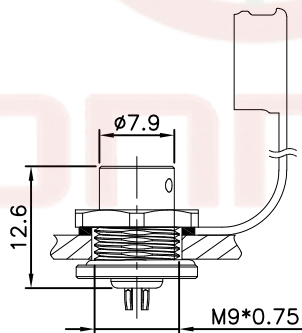
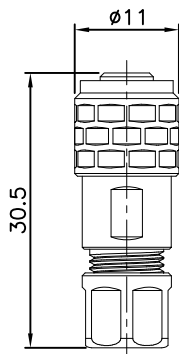
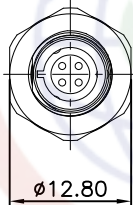
Front nut type



Male



Female



Note:

Specifications:

1. Rated voltage:30V
2. Rated current:3A
3. Contact resistance:10mΩ
4. Withstand voltage:500V
5. Operating temperature: -40°C to +85°C
6. Wiring method: Solder

Materials:

1. Shell material: Brass with chrome plating
2. Insulation material: PPS
High temperature resistance 260°C
3. IP rating:IP67
4. Contact material: Brass with gold plating

Product Number Code:
DS1110-66-X X X X X X

- Install Type:
C:Front nut type
- Cable diameter:
1:2-3mm 2:3-4mm
- Contact Plating:
8:Gold flash
- Color of shell:
B:Black
- Color of housing:
B:Black
- No.of Contacts:
2 3 4 5



GENERAL TOLERANCE		ANGLE TOLERANCE	
X.	±0.60	X.	±5°
.X	±0.38	.X	±3°
.XX	±0.25	.XX	±2°

PROJECTION		TITLE	6mm push-in fast locking aviation plug (Anodized aluminium)
UNITS	mm	SERIES	DS1110-66 Series

DRAWING TYPE	CUSTOMER		
SCALE	1:1	SHEET	3 OF 4
DRAWING NO.	C-DS1110-66-XXXXXX-A		

晨翔电子有限公司
CONNELY CONNELY ELECTRONIC CO. LTD

Dept
Qty

DC 1
ED 1
IE 1
ISO 1
PD 1
R&D 1
SD 1
QA 1
QC 1
QE 1

The information provided herein is from CONNFLY Electronic Co., Ltd. and is confidential. Any disclosure to a party other than the recipient is prohibited. The intellectual properties and its rights of CONNFLY Electronic Co., Ltd. are strictly protected. All intellectual properties provided herein are for reference purposes only and does not constitute authorization of its use in any format or manner. CONNFLY may enforce its intellectual property rights at its own discretion; failures or delays to exercise such rights does not constitute a waiver of such rights.

REV.	DESCRIPTION	DRAWN	CHECKED	APPROVED
A	NEW RELEASE	WPY 02/08/25'		

Solder contact arrangement and spec

No.of Contacts	2	3	4	5
Male contact face view				
Rated current (A)	3A	3A	3A	3A
Contact diameter(mm)	Ø0.6×2	Ø0.6×3	Ø0.6×4	Ø0.6×5
Rated Voltage (AC.V)	30	30	30	30
Test voltage(AC.V) 1 min	500	500	500	500
Contact resistance(mΩ)	10	10	10	10
Wiring method(mm ² /AWG)	≤0.5/20	≤0.5/20	≤0.5/20	≤0.5/20

GENERAL TOLERANCE		ANGLE TOLERANCE	
X.	±0.60	X.	±5°
.X	±0.38	.X	±3°
.XX	±0.25	.XX	±2°
DRAWING TYPE		CUSTOMER	
SCALE	1:1	SHEET	4 OF 4
DRAWING NO.	C-DS1110-66-XXXXXX-A		

PROJECTION		TITLE	6mm push-in fast locking aviation plug (Anodized aluminium)
UNITS	mm	SERIES	DS1110-66 Series
SHEET SIZE	A4		

晨翔电子有限公司
CONNFLY CONNFLY ELECTRONIC CO. LTD