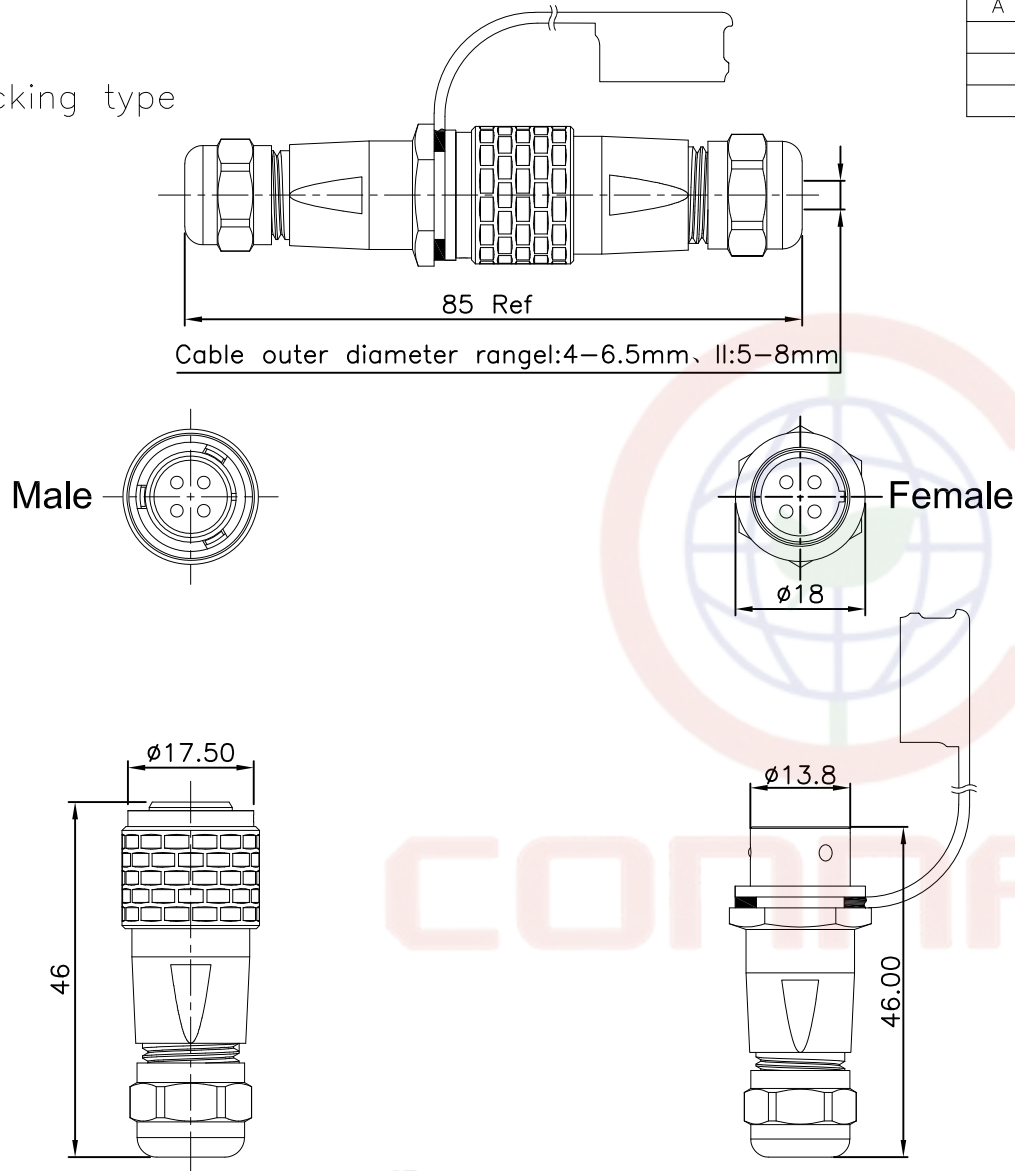


The information provided herein is from CONNFLY Electronic Co., Ltd. and is confidential. Any disclosure to a party other than the recipient is prohibited. The intellectual properties and its rights of CONNFLY Electronic Co., Ltd. are strictly protected. Any modification or reproduction of this drawing without prior written consent from CONNFLY is strictly prohibited. All intellectual properties provided herein are for reference purposes only and does not constitute authorization of its use in any format or manner. CONNFLY may enforce its intellectual property rights at its own discretion; failures or delays to exercise such rights does not constitute a waiver of such rights.

Docking type



REV.	DESCRIPTION	DRAWN	CHECKED	APPROVED
A	NEW RELEASE	WPY 02/08/25'		

Note:

Specifications:

1. Rated voltage: 125V/180V/200V/250V
2. Rated current: 3A/5A/13A
3. Contact resistance: 2.5mΩ / 5mΩ / 10mΩ
4. Withstand voltage: 1200V-1500V
5. Operating temperature: -40°C to +85°C
6. Wiring method: Solder

Materials:

1. Shell material: Brass with chrome plating
2. Insulation material: PPS  
High temperature resistance 260°C
3. IP rating: IP67
4. Contact material: Brass with gold plating

Product Number Code:

DS1110-69-X X X X X X

Install Type:

A: Docking type

Cable diameter:

1: 4-6.5mm 2: 5-8mm

Contact Plating:

8: Gold flash

Color of nut:

B: Black

Color of housing:

B: Black

No. of Contacts:

2 3 4 5 6 7 9

GENERAL TOLERANCE		ANGLE TOLERANCE	
X.	±0.60	X.	±5°
.X	±0.38	.X	±3°
.XX	±0.25	.XX	±2°

DRAWING TYPE	CUSTOMER
SCALE	1:1 SHEET 1 OF 4
DRAWING NO.	C-DS1110-69-XXXXXX-A

PROJECTION	TITLE
	12mm push-in fast locking aviation plug (Anodized aluminium)
UNITS	mm
SHEET SIZE	A4
SERIES	DS1110-69 Series

**晨翔电子有限公司**  
**CONNFLY CONNFLY ELECTRONIC CO. LTD**

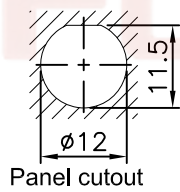
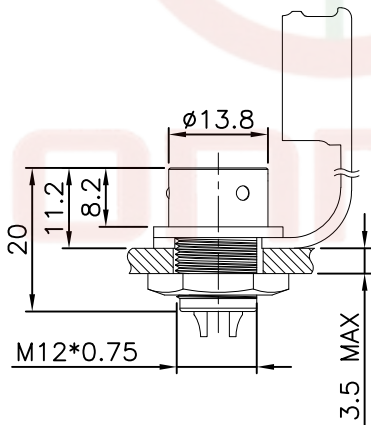
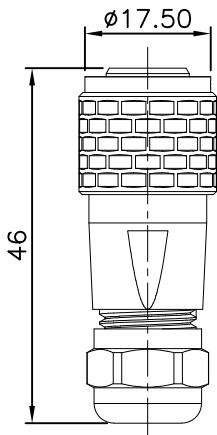
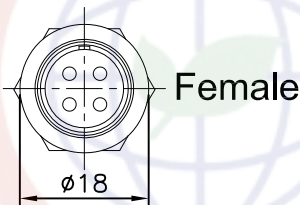
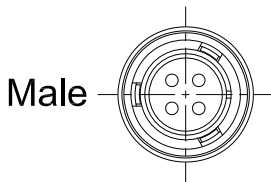
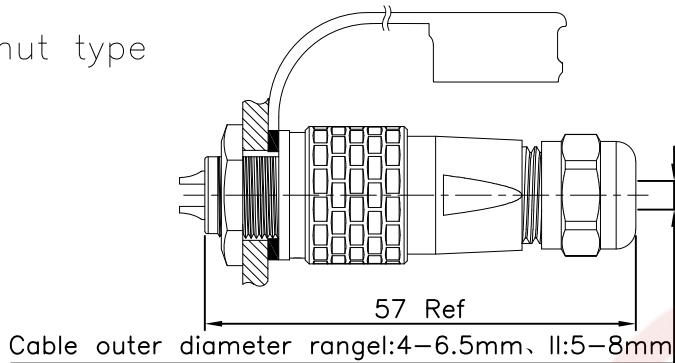
The information provided herein is from CONNELY Electronic Co., Ltd. and is confidential. Any disclosure to a party other than the recipient is prohibited. The intellectual properties and its rights of CONNELY Electronic Co., Ltd. are strictly protected. All intellectual properties provided herein are for reference purposes only and does not constitute authorization of its use in any format or manner. CONNELY may enforce its intellectual property rights at its own discretion; failures or delays to exercise such rights does not constitute a waiver of such rights.

1 2 3 4 5 6 7 8

Dept	Qty
DC	1
ED	1
IE	1
ISO	1
PD	1
R&D	1
SD	1
QA	1
QC	1
QE	1

REV.	DESCRIPTION	DRAWN	CHECKED	APPROVED
A	NEW RELEASE	WPY 02/08/25'		

Rear nut type



Note:

Specifications:

1. Rated voltage: 125V/180V/200V/250V
2. Rated current: 3A/5A/13A
3. Contact resistance: 2.5mΩ / 5mΩ / 10mΩ
4. Withstand voltage: 1200V-1500V
5. Operating temperature: -40°C to +85°C
6. Wiring method: Solder

Materials:

1. Shell material: Brass with chrome plating
2. Insulation material: PPS  
High temperature resistance 260°C
3. IP rating: IP67
4. Contact material: Brass with gold plating

Product Number Code:

DS1110-69-XXXXXX

- Install Type:  
B: Rear nut type
- Cable diameter:  
1: 4-6.5mm 2: 5-8mm
- Contact Plating:  
8: Gold flash
- Color of nut:  
B: Black
- Color of housing:  
B: Black
- No. of Contacts:  
2 3 4 5 6 7 9



GENERAL TOLERANCE		ANGLE TOLERANCE	
.X	±0.60	.X	±5°
.X	±0.38	.X	±3°
.XX	±0.25	.XX	±2°

PROJECTION		TITLE	12mm push-in fast locking aviation plug (Anodized aluminium)
UNITS	mm	SERIES	DS1110-69 Series
SHEET SIZE	A4		

DRAWING TYPE	CUSTOMER		
SCALE	1:1	SHEET	2 OF 4
DRAWING NO.	C-DS1110-69-XXXXXX-A		

**晨翔电子有限公司**  
**CONNELY CONNELY ELECTRONIC CO. LTD**

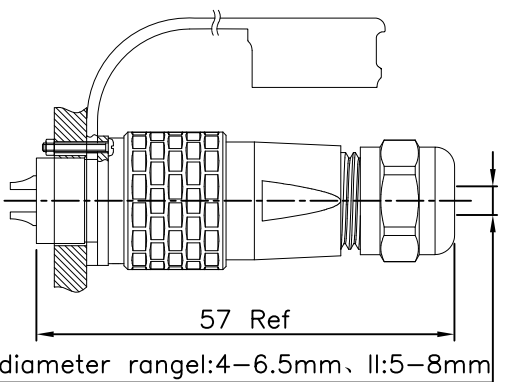
1 2 3 4 5 6 7 8

The information provided herein is from CONNELY Electronic Co., Ltd. and is confidential. Any disclosure to a party other than the recipient is prohibited. The intellectual properties and its rights of CONNELY Electronic Co., Ltd. are strictly protected. All intellectual properties provided herein are for reference purposes only and does not constitute authorization of its use in any format or manner. CONNELY may enforce its intellectual property rights at its own discretion; failures or delays to exercise such rights does not constitute a waiver of such rights.

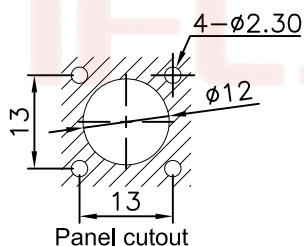
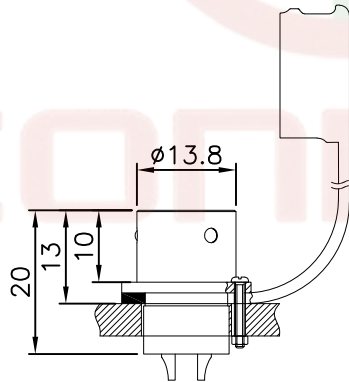
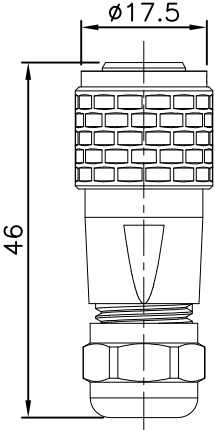
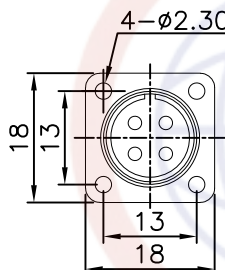
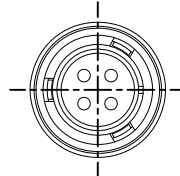
1 2 3 4 5 6 7 8

REV.	DESCRIPTION	DRAWN	CHECKED	APPROVED
A	NEW RELEASE	WPY 02/08/25'		

Front nut type



Cable outer diameter range: 4-6.5mm, 11: 5-8mm



Note:

Specifications:

- Rated voltage: 125V/180V/200V/250V
- Rated current: 3A/5A/13A
- Contact resistance: 2.5mΩ / 5mΩ / 10mΩ
- Withstand voltage: 1200V-1500V
- Operating temperature: -40°C to +85°C
- Wiring method: Solder

Materials:

- Shell material: Brass with chrome plating
- Insulation material: PPS  
High temperature resistance 260°C
- IP rating: IP67
- Contact material: Brass with gold plating

Product Number Code:  
DS1110-69-X X X X X X

- Install Type:  
C: Square disc type  
Cable diameter:  
1: 4-6.5mm 2: 5-8mm  
Contact Plating:  
8: Gold flash  
Color of nut:  
B: Black  
Color of housing:  
B: Black  
No. of Contacts:  
2 3 4 5 6 7 9



GENERAL TOLERANCE		ANGLE TOLERANCE	
X.	±0.60	X.	±5°
.X	±0.38	.X	±3°
.XX	±0.25	.XX	±2°

PROJECTION	TITLE
	12mm push-in fast locking aviation plug (Anodized aluminium)
UNITS	mm
SHEET SIZE	A4
SERIES	DS1110-69 Series

DRAWING TYPE	CUSTOMER
SCALE	1:1 SHEET 3 OF 4
DRAWING NO.	C-DS1110-69-XXXXXX-A

晨翔电子有限公司  
CONNELY CONNELY ELECTRONIC CO. LTD

1 2 3 4 5 6 7 8

Dept  
Qty

DC 1  
ED 1  
IE 1  
ISO 1  
PD 1  
R&D 1  
SD 1  
QA 1  
QC 1  
QE 1

The information provided herein is from CONNFLY Electronic Co., Ltd. and is confidential. Any disclosure to a party other than the recipient is prohibited. The intellectual properties and its rights of CONNFLY Electronic Co., Ltd. are strictly protected. All intellectual properties provided herein are for reference purposes only and does not constitute authorization of its use in any format or manner. CONNFLY may enforce its intellectual property rights at its own discretion; failures or delays to exercise such rights does not constitute a waiver of such rights.

REV.	DESCRIPTION	DRAWN	CHECKED	APPROVED
A	NEW RELEASE	WPY 02/08/25'		

# Solder contact arrangement and spec

No.of Contacts	2	3	4	5	6	7	9
Male contact face view							
Rated current (A)	13	13	5	5	5	5	3
Contact diameter(mm)	Ø1.6×2	Ø1.6×3	Ø1×4	Ø1×5	Ø1×6	Ø1×7	Ø0.7×9
Rated Voltage (AC.V)	250	250	200	180	125	125	125
Test voltage(AC.V) 1 min	1500	1500	1500	1000	1000	1000	1000
Contact resistance(mΩ)	2.5	2.5	5	5	5	5	10
Wiring method(mm <sup>2</sup> /AWG)	≤2/14	≤2/14	≤0.75/20	≤0.75/18	≤0.75/18	≤0.75/18	≤0.5/20

GENERAL TOLERANCE	ANGLE TOLERANCE
X. ±0.60	X. ±5°
.X ±0.38	.X ±3°
.XX ±0.25	.XX ±2°

PROJECTION		TITLE	12mm push-in fast locking aviation plug (Anodized aluminium)
UNITS	mm	SHEET SIZE	A4
SHEET SIZE	A4	SERIES	DS1110-69 Series

DRAWING TYPE	CUSTOMER
SCALE	1:1 SHEET 4 OF 4
DRAWING NO.	C-DS1110-69-XXXXXX-A

**晨翔电子有限公司**  
**CONNFLY CONNFLY ELECTRONIC CO. LTD**