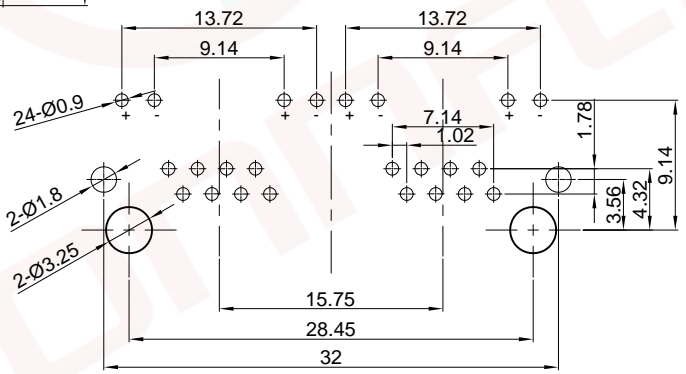
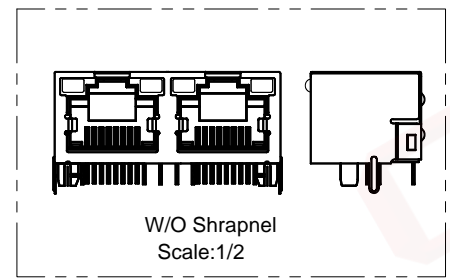
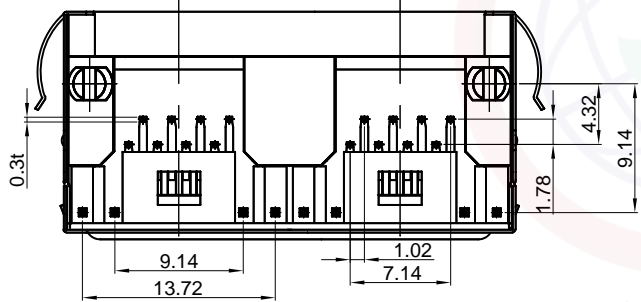
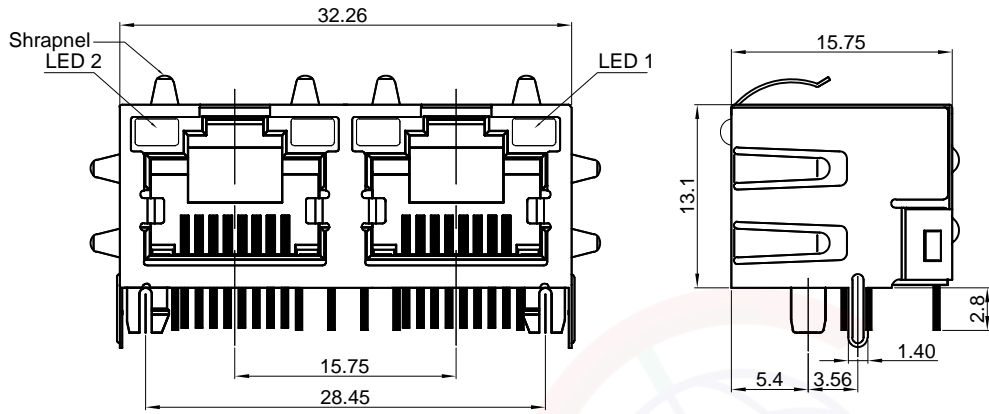


Dept	Qty
DC	1
ED	1
IE	1
ISO	1
PD	1
R&D	1
SD	1
QA	1
QC	1
QF	1

REV.	DESCRIPTION	DRAWN	CHECKED	APPROVED
A	NEW RELEASE	JLZ 06/06/16'	HZW 06/06/16'	LJC 06/06/16'
B	DRAWING UPDATE	JLZ 04/08/22'		

The information provided herein is from CONNPLY Electronic Co., Ltd. and is confidential. Any disclosure to a party other than the recipient is prohibited. The intellectual properties and its rights contained herein, including but not limited to, trademarks, patents, copyrights, trade secrets, and technical know-how, are owned exclusively by CONNPLY or its affiliates. Unauthorized use or reproduction of any part of this document for any purpose without the prior written permission of CONNPLY is strictly prohibited. CONNPLY may enforce its intellectual property rights at its own discretion, failures or delays to exercise such rights does not constitute a waiver of such rights.



PCB layout  
Thickness=1.6mm  
LED Voltage:2.6V

Notes:

- Electrical Characteristics:
  - Contact Resistance: 20mΩ Max.
  - Dielectric Withstanding Voltage: 500V AC(rms) For 1 Minute.
  - Insulation Resistance: 1000MΩ Min.
  - Current Rating:1.5A.
  - Voltage Rating:150V AC rms.
- Environment Characteristics:
  - Temperature: -40°C~+85°C.
- Materials:
  - Contact Material: Copper Alloy.
  - Contact Plating: Selective Gold Flash.
  - Insulator Materials: PBT,UL94-V0.
- Product Number Code:

DS1129-04-X X X X X - X X

- LED Type
  - 1: See Table
  - 2: See Table .....
- Shell Type
  - S:W/ Shrapnel
  - X:W/O Shrapnel
- Housing Materials
  - P:PBT
- Contact Plating
  - 0:Selective Gold Flash
  - J:Selective 6u" Gold
  - 5:Selective 15u" Gold
  - 3:Selective 30u" Gold
- Housing Color
  - B:Black
- No.Of Contacts
  - 8:8p8c
- Connector Type
  - S:Socket



(Series Image-Reference Only)

GENERAL TOLERANCE		ANGLE TOLERANCE	
X.	±0.60	X.	±5°
.X	±0.38	.X	±3°
.XX	±0.25	.XX	±2°
DRAWING TYPE		CUSTOMER	
SCALE	1:1	SHEET	1 OF 2
DRAWING NO.	C-DS1129-04-XXXXX-XX-B		

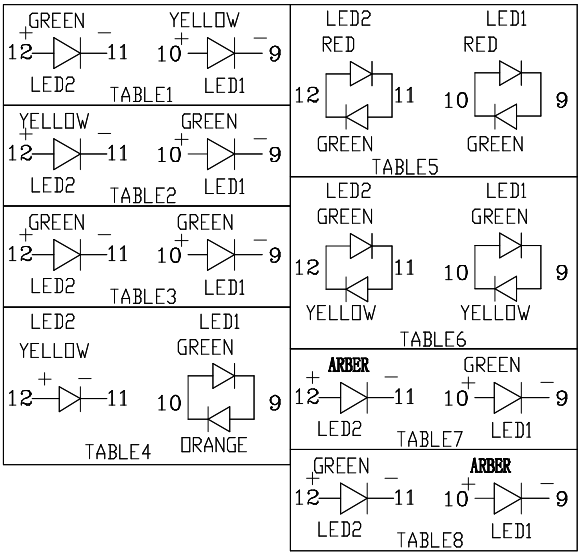
PROJECTION	TITLE	PCB Jack 8 Positions 1*2 Port W/ Shell 3.56mm With LED Type
UNITS	mm	
SHEET SIZE	A4	
SERIES	DS1129-04 SERIES	

**晨翔电子有限公司**  
 CONNPLY CONNPLY ELECTRONIC CO., LTD

The information provided herein is from CONNPLY Electronic Co., Ltd. and is confidential. Any disclosure to a party other than the recipient is prohibited. The intellectual properties and its rights contained herein, including but not limited to, trademarks, patents, copyrights, trade secrets, and technical know-how, are owned exclusively by CONNPLY or its affiliates. Unauthorized use or reproduction of any part of this document is strictly prohibited. CONNPLY may enforce its intellectual property rights at its own discretion, failures or delays to exercise such rights does not constitute a waiver of such rights.

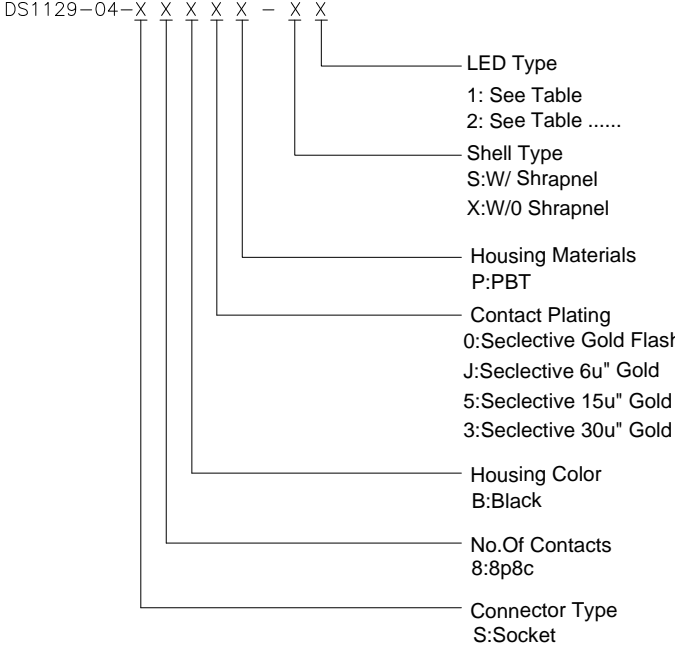
Dept	Qty
DC	1
ED	1
IE	1
ISO	1
PD	1
R&D	1
SD	1
QA	1
QC	1
QE	1

TYPE	Contact Plating				Shell Type (Shrapnel)	LED TABLE
	G/F	6u"	15u"	30u"		
1	W/	W/	W/O	W/	W/	TABLE1
2	W/	W/	W/	W/	W/ or W/O	TABLE2
3	W/	W/	W/O	W/	W/	TABLE3
4	W/	W/	W/O	W/O	W/ or W/O	TABLE4
5	W/	W/O	W/O	W/O	W/	TABLE5
6	W/O	W/O	W/O	W/O	W/	TABLE6
7	W/	W/O	W/O	W/O	W/	TABLE7
8	W/O	W/O	W/O	W/	W/	TABLE8



REV.	DESCRIPTION	DRAWN	CHECKED	APPROVED
A	NEW RELEASE	JLZ 06/06/16'	HZW 06/06/16'	LJC 06/06/16'
B	DRAWING UPDATE	JLZ 04/08/22'		

- Notes:
- Electrical Characteristics:
    - Contact Resistance: 20mΩ Max.
    - Dielectric Withstanding Voltage: 500V AC(rms) For 1 Minute.
    - Insulation Resistance: 1000MΩ Min.
    - Current Rating:1.5A.
    - Voltage Rating:150V AC rms.
  - Environment Characteristics:
    - Temperature: -40°C~+85°C.
  - Materials:
    - Contact Material: Copper Alloy.
    - Contact Plating: Selective Gold Flash.
    - Insulator Materials: PBT,UL94-V0.
  - Product Number Code:



GENERAL TOLERANCE		ANGLE TOLERANCE		PROJECTION		TITLE	PCB Jack 8 Positions 1*2 Port W/ Shell 3.56mm With LED Type
X.	±0.60	X.	±5°	UNITS	mm	SHEET	DS1129-04 SERIES
.X	±0.38	.X	±3°	SHEET SIZE	A4	SERIES	DS1129-04 SERIES
.XX	±0.25	.XX	±2°	<b>晨翔电子有限公司</b> CONNPLY ELECTRONIC CO., LTD			
DRAWING TYPE		CUSTOMER					
SCALE	1:1	SHEET	2 OF 2				
DRAWING NO.		C-DS1129-04-XXXX-XX-B					