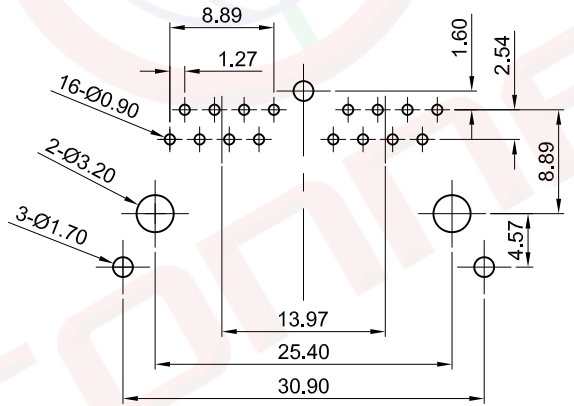
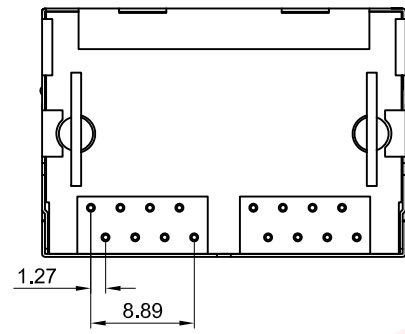
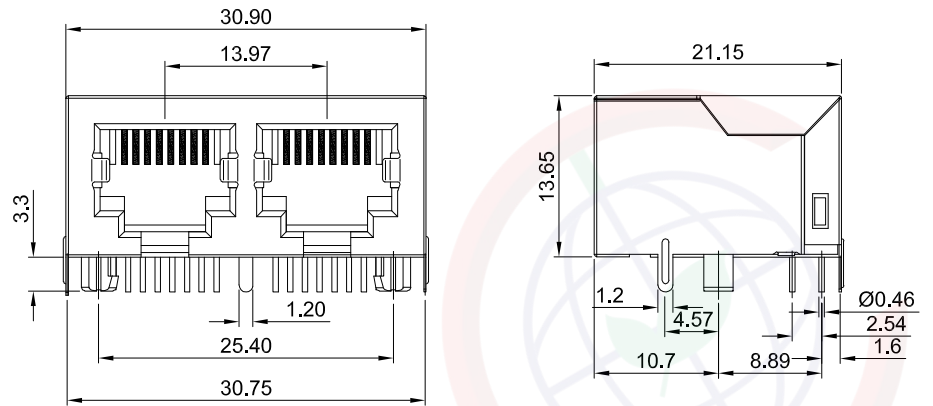


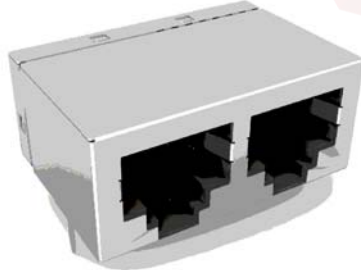
The information provided herein is from CONNELY Electronic Co., Ltd. and is confidential. Any disclosure to a party other than the recipient is prohibited. The intellectual properties and its rights contained herein, including but not limited to, trademarks, patents, copyrights, trade secrets, and technical know-how, are owned exclusively by CONNELY or its affiliates. Unauthorized use of this information in any format or manner. CONNELY may enforce its intellectual property rights at its own discretion; failures or delays to exercise such rights does not constitute a waiver of such rights.

1 2 3 4 5 6 7 8

REV.	DESCRIPTION	DRAWN	CHECKED	APPROVED
A	NEW RELEASE	JLZ 08/01/16'		
B	DRAWING UPDATE	JLZ 03/08/22'		



PCB layout
Thickness=1.6mm



(Series Image-Reference Only)

- Notes:
- Electrical Characteristics:
 - Contact Resistance: 20mΩ Max.
 - Dielectric Withstanding Voltage: 500V AC(rms) For 1 Minute.
 - Insulation Resistance: 500MΩ Min.
 - Current Rating:1.5A.
 - Voltage Rating:125V AC rms.
 - Environment Characteristics:
 - Temperature: -40°C~+85°C.
 - Materials:
 - Contact Material: Copper Alloy.
 - Contact Plating: Gold flash.
 - Insulator Materials: PBT or PA66,UL94-V0.
 - Product Number Code:

DS1129-05 - X X X X - X

- Shell Type
N/A Code:W/ Shrapnel
X:W/O Shrapnel
- Housing Material
P:PBT
N:Nylon
- Housing Color
B:Black
- Contact Plating
0: Gold flash
.....
- No.Of Contacts
8:8p8c
- Connector Type
S:Socket

GENERAL TOLERANCE		ANGLE TOLERANCE		PROJECTION		TITLE	PCB Jack 8 Positions 1*2 Port W/ Shell 4.57mm Type			
X.	±0.60	X.	±5°	UNITS	mm	SHEET	A4			
.X	±0.38	.X	±3°	SHEET SIZE	A4	SERIES	DS1129-05 SERIES			
.XX	±0.25	.XX	±2°							
DRAWING TYPE		CUSTOMER				晨翔电子有限公司 CONNFLY CONNFLY ELECTRONIC CO. LTD				
SCALE		1:1		SHEET					1 OF 1	
DRAWING NO.		C-DS1129-05-XXXXX-X-B								

1 2 3 4 5 6 7 8