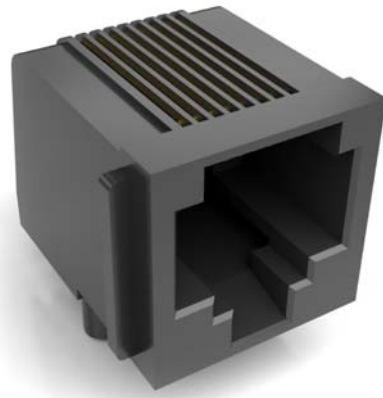
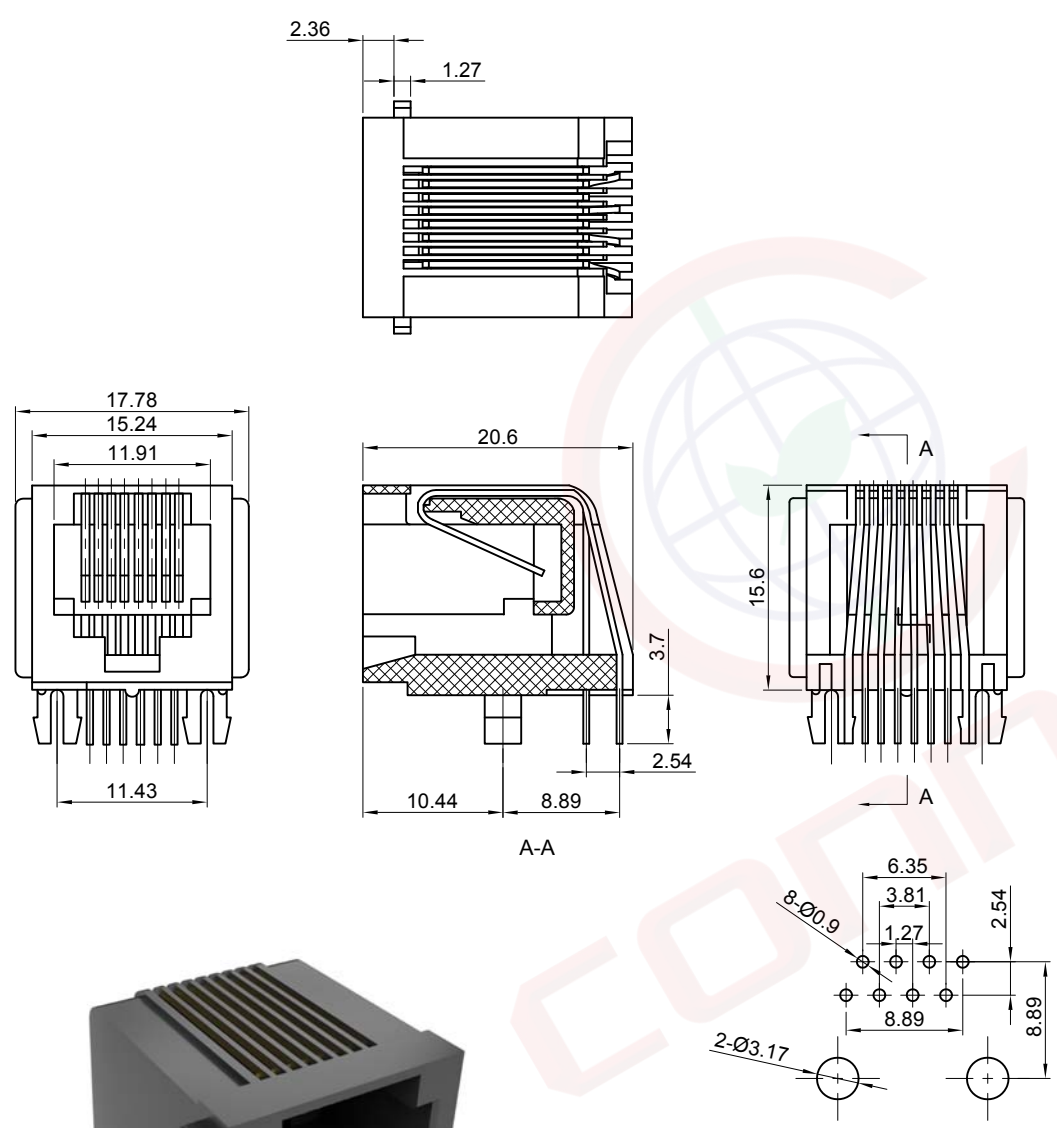


Dept	Qty
DC	1
ED	1
IE	1
ISO	1
PD	1
R&D	1
SD	1
QA	1
QC	1
QE	1

The information provided herein is from CONNELY Electronic Co., Ltd. and is confidential. Any disclosure to a party other than the recipient is prohibited. The intellectual properties and its rights contained herein, including but not limited to, trademarks, patents, copyrights, trade secrets, and technical know-how, are owned exclusively by CONNELY or its affiliates. Unauthorized use or reproduction of any part of this document, in any form or by any means, without the prior written permission of CONNELY is strictly prohibited. CONNELY may enforce its intellectual property rights at its own discretion, failures or delays in exercising such rights does not constitute a waiver of such rights.

REV.	DESCRIPTION	DRAWN	CHECKED	APPROVED
A	NEW RELEASE	LL 06/26/06'		LJC 06/26/06'
B	Plating change	JLZ 07/20/15'		LJC 07/20/15'
C	DRAWING UPDATE	JLZ 11/11/20'		



(Series Image-Reference Only)

- Notes:
- Electrical Characteristics:
 - Contact Resistance: 30mΩ Max.
 - Dielectric Withstanding Voltage: 500V AC(rms) For 1 Minute.
 - Insulation Resistance: 500MΩ Min.
 - Current Rating:1.5A.
 - Voltage Rating:125V AC rms.
 - Environment Characteristics:
 - Temperature: -40°C~+85°C.
 - Materials:
 - Contact Material: Copper Alloy.
 - Contact Plating: Gold&Tin Plating Over Nickel.
 - Insulator Materials:PBT or Nylon,Black,UL94-V0.
 - Product Number Code:

DS1134-02 - X X X X X X

 - Ear Support: S:W/ Ear, X:W/O Ear
 - Housing Materials: P:PBT, N:Nylon
 - Housing Color: B:Black
 - Contact Plating: 0:Selective gold flash, 3:Selective 3u" Gold (6;15;30)Micro Inch
 - No.Of Contacts: 8:8p8c
 - Connector Type: S:Socket

Recommend PCB Layout(Tolerance=±0.05)

GENERAL TOLERANCE		ANGLE TOLERANCE		PROJECTION		TITLE	PCB Jack 8 Positions W/O Shell L=20.57mm
X.	±0.60	X.	±5°	UNITS	mm	SHEET	1 OF 1
.X	±0.38	.X	±3°	SHEET SIZE	A4	SERIES	DS1134-02 SERIES
.XX	±0.25	.XX	±2°	晨翔电子有限公司 CONNELY CONNELY ELECTRONIC CO. LTD			
DRAWING TYPE		CUSTOMER					
SCALE		1:1					
DRAWING NO.				C-DS1134-02-XXXXXX-C			