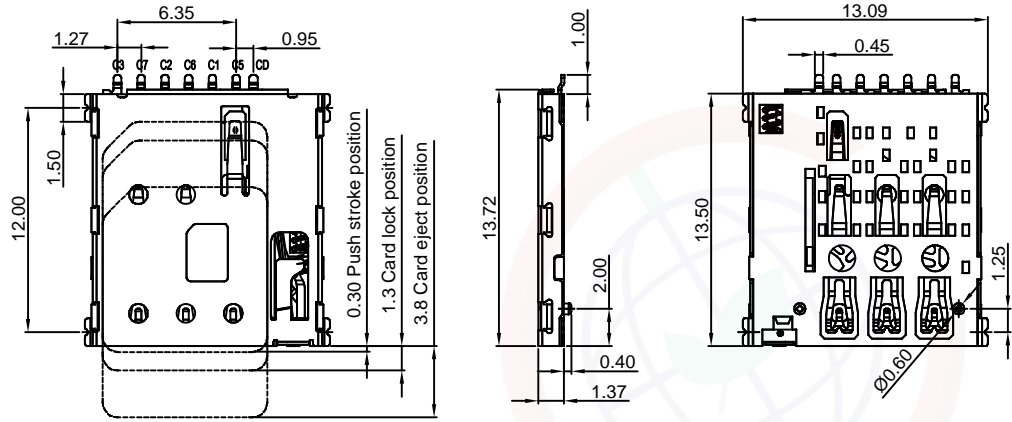


Dept	
Qty	
DC	1
ED	1
IE	1
ISO	1
PD	1
R&D	1
SD	1
QA	1
QC	1
QF	1

REV.	DESCRIPTION	DRAWN	CHECKED	APPROVED
A	NEW RELEASE	JLZ 10/23/19'		

The information provided herein is from CONNPLY Electronic Co., Ltd. and is confidential. Any disclosure to a party other than the recipient is prohibited. The intellectual properties and its rights contained herein, including but not limited to, trademarks, patents, copyrights, trade secrets, and technical know-how, are owned exclusively by CONNPLY or its affiliates. Unauthorized use or reproduction of any part of this document in any form or by any means, electronic, mechanical, photocopying, recording, or by any information storage and retrieval system, without the prior written permission of CONNPLY may infringe its intellectual property rights at its own discretion, failures or delays to exercise such rights does not constitute a waiver of such rights. CONNPLY may enforce its intellectual property rights at its own discretion, failures or delays to exercise such rights does not constitute a waiver of such rights.



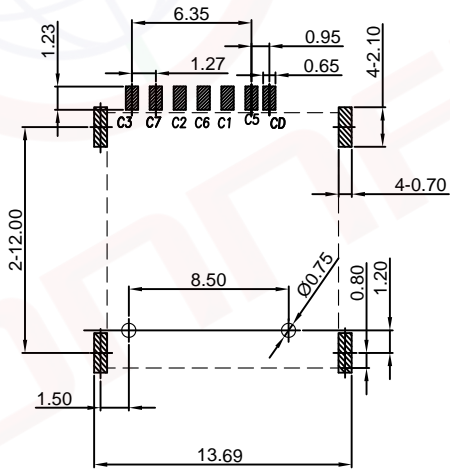
- Notes:
- Material:
 - Housing: High Temp., UL 94V-0 Color of Black.
 - Contacts: Copper Alloy.
 - Shell: Stainless Steel.
 - Finish:
 - Contact Area: Gold Over Nickel
 - Solder Area: Tin.
 - Specifications:
 - Temperature Rated: -40°C TO +85°C
 - Contact Resistance: 100mΩ Max.
 - Insulation Resistance: 1000MΩ Min.
 - Withstanding Voltage : 500V AC.
 - Current Rating: 1A.
 - Voltage Rating: 30V.
 - Product Number Code:

DS1138-22 - XX X X X X X X

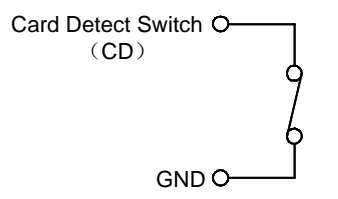
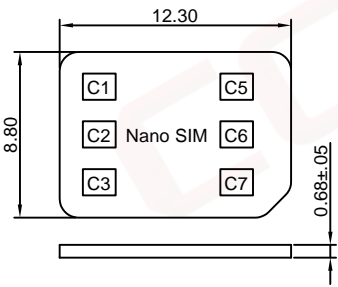
- Packing Type
- R: Tape On Reel
- Shell Plating
- S: Stainless
- Housing Color
- B: Black
- Contact Plating
- 0: Selective gold flash
- Mounting Type
- S: SMT type
- Connector Type
- S: Socket
- NO. Of Contacts
- 06:6Pin

Pin assignments

Pin#	Name
C 1	VCC
C 2	RST
C 3	CLK
C 5	GND
C 6	VPP
C 7	I/O



Recommended PCB Layout
General Tol:±0.05



Normal....Short
Inserting Card....Open

Cricuit Diagram For Card
Detect Switch

GENERAL TOLERANCE		ANGLE TOLERANCE	
X.	±0.60	X.	±5°
.X	±0.38	.X	±3°
.XX	±0.25	.XX	±2°
DRAWING TYPE		CUSTOMER	
SCALE	1:1	SHEET	1 OF 1
DRAWING NO.	C-DS1138-22-XXXXXXX-A		

PROJECTION	TITLE
	1.27mm NANO SIM Card
UNITS	mm
SHEET SIZE	A4
SERIES	DS1138-22 SERIES
H=1.35mm 6P Push Push W/ Post	

晨翔电子有限公司
CONNPLY CONNPLY ELECTRONIC CO. LTD