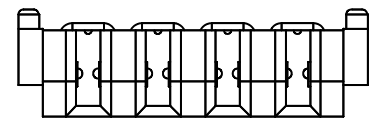


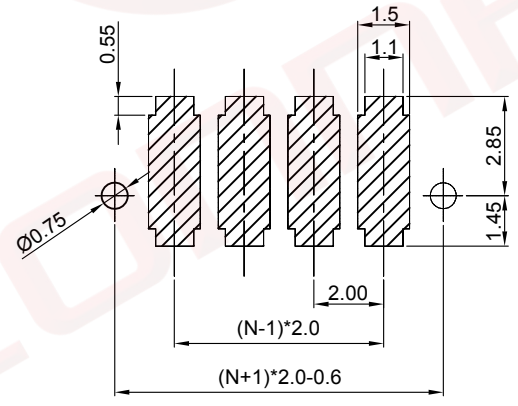
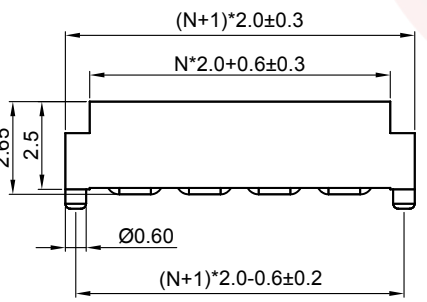
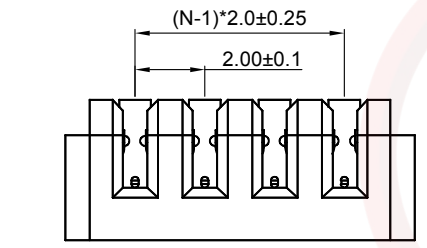
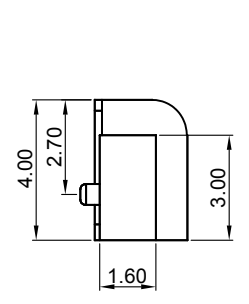
Dept	
Qty	
DC	1
ED	1
IE	1
ISO	1
PD	1
R&D	1
SD	1
QA	1
QC	1
QE	1

The information provided herein is from CONNELY Electronic Co., Ltd. and is confidential. Any disclosure to a party other than the recipient is prohibited. The intellectual properties and its rights contained herein, including but not limited to, trademarks, patents, copyrights, trade secrets, and technical know-how, are owned exclusively by CONNELY or its affiliates. Unauthorized use or reproduction of any part of this document is strictly prohibited. CONNELY may enforce its intellectual property rights at its own discretion, failures or delays to exercise such rights does not constitute a waiver of such rights.

REV.	DESCRIPTION	DRAWN	CHECKED	APPROVED
A	NEW RELEASE	JLZ 03/31/23'		



N=No. of contacts

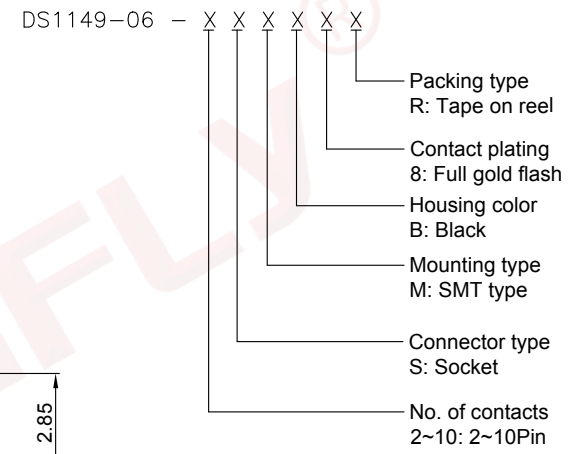


Recommend PCB layout  
Tolerance:±0.05mm



(Series Image-Reference Only)

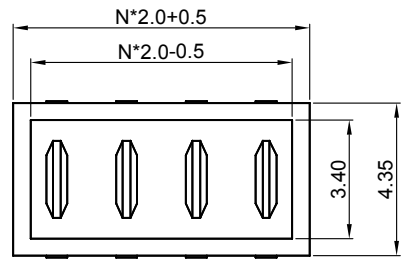
Notes:  
Specifications:  
1. Contact Resistance: 30mΩ Max.  
2. Insulation Resistance: 100MΩ Min.  
3. Dielectric Withstanding Voltage: 500V AC(rms) For 1 Minute.  
4. Current Rating:3A @ 30V.  
5. Temperature: -40°C~+105°C.  
Materials:  
1. Contact Material: Copper Alloy.  
2. Contact Plating: Gold Plating Over Nickel.  
3. Insulator Material: PA-9T,Black,UL94-V0.  
Product Number Code:



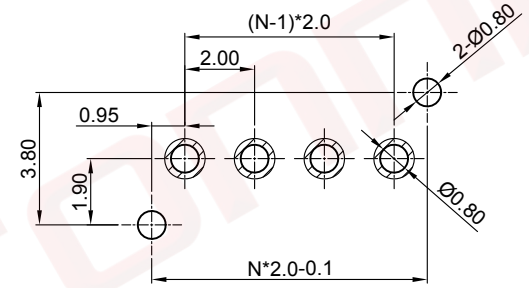
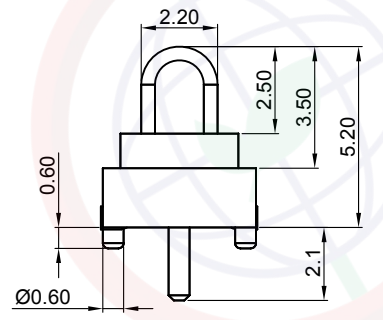
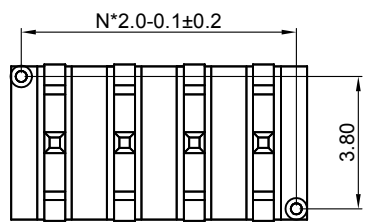
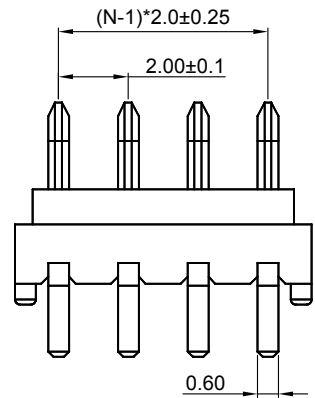
GENERAL TOLERANCE		ANGLE TOLERANCE		PROJECTION		TITLE	
X.	±0.60	X.	±5°	UNITS	mm	2.00mm Battery Holder(2~10P)	
.X	±0.38	.X	±3°	SHEET SIZE	A4	SERIES	DS1149-06 SERIES
.XX	±0.25	.XX	±2°	<b>晨翔电子有限公司</b> <b>CONNFLY CONNFLY ELECTRONIC CO. LTD</b>			
DRAWING TYPE		CUSTOMER					
SCALE		1:1					
DRAWING NO.		C-DS1149-06-XXXXXX-A		SHEET		1 OF 3	

Dept	
Qty	
DC	1
ED	1
IE	1
ISO	1
PD	1
R&D	1
SD	1
QA	1
QC	1
QE	1

The information provided herein is from CONNELY Electronic Co., Ltd. and is confidential. Any disclosure to a party other than the recipient is prohibited. The intellectual properties and its rights contained herein, including but not limited to, trademarks, patents, copyrights, trade secrets, and technical know-how, are owned exclusively by CONNELY or its affiliates. Unauthorized use or reproduction of any part of this document is strictly prohibited. CONNELY may enforce its intellectual property rights at its own discretion, failures or delays to exercise such rights does not constitute a waiver of such rights.



N=No. of contacts



Recommend PCB layout  
Tolerance:±0.05mm



(Series Image-Reference Only)

REV.	DESCRIPTION	DRAWN	CHECKED	APPROVED
A	NEW RELEASE	JLZ 03/31/23'		

Notes:

Specifications:

- Contact Resistance: 30mΩ Max.
- Insulation Resistance: 100MΩ Min.
- Dielectric Withstanding Voltage: 500V AC(rms) For 1 Minute.
- Current Rating:3A @ 30V.
- Temperature: -40°C~+105°C.

Materials:

- Contact Material: Copper Alloy.
- Contact Plating: Gold Plating Over Nickel.
- Insulator Material: PA-9T,Black,UL94-V0.

Product Number Code:

DS1149-06 - X X X X X X

- Packing type  
P: Polybag
- Contact plating  
8: Full gold flash
- Housing color  
B: Black
- Mounting type  
V: V/T type
- Connector type  
P: Plug
- No. of contacts  
2~10: 2~10Pin

GENERAL TOLERANCE		ANGLE TOLERANCE	
X.	±0.60	X.	±5°
.X	±0.38	.X	±3°
.XX	±0.25	.XX	±2°
DRAWING TYPE		CUSTOMER	
SCALE		1:1	SHEET 2 OF 3
DRAWING NO.		C-DS1149-06-XXXXXX-A	

PROJECTION		TITLE	
UNITS	mm	2.00mm Battery Holder(2~10P)	
SHEET SIZE	A4	SERIES	DS1149-06 SERIES

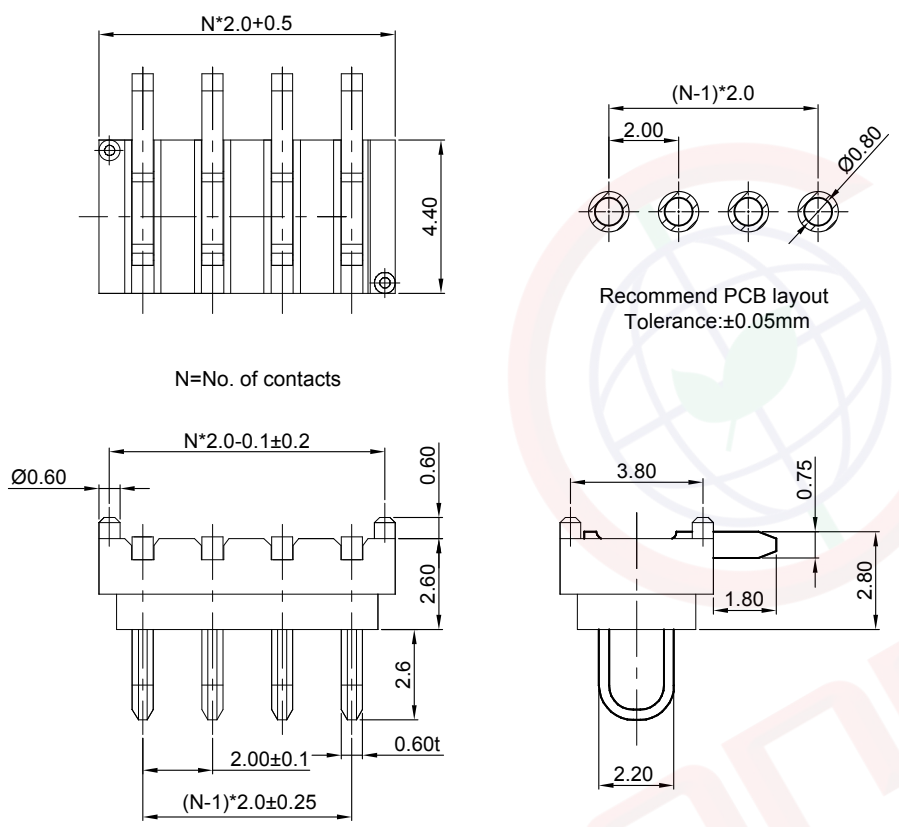
晨翔电子有限公司  
CONNFLY CONNELY ELECTRONIC CO. LTD

Dept	
Qty	
DC	1
ED	1
IE	1
ISO	1
PD	1
R&D	1
SD	1
QA	1
QC	1
QE	1

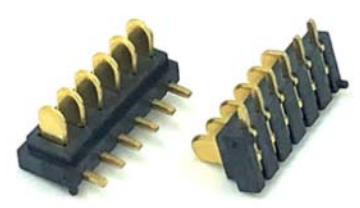
The information provided herein is from CONNELY Electronic Co., Ltd. and is confidential. Any disclosure to a party other than the recipient is prohibited. The intellectual properties and its rights contained herein, including but not limited to, trademarks, patents, copyrights, trade secrets, and technical know-how, are owned exclusively by CONNELY or its affiliates. Unauthorized use or reproduction of any part of this document without the prior written permission of CONNELY may result in legal action. CONNELY may enforce its intellectual property rights at its own discretion, failures or delays to exercise such rights does not constitute a waiver of such rights.

REV.	DESCRIPTION	DRAWN	CHECKED	APPROVED
A	NEW RELEASE	JLZ 03/31/23'		

Notes:  
 Specifications:  
 1. Contact Resistance: 30mΩ Max.  
 2. Insulation Resistance: 100MΩ Min.  
 3. Dielectric Withstanding Voltage: 500V AC(rms) For 1 Minute.  
 4. Current Rating:3A @ 30V.  
 5. Temperature: -40°C~+105°C.  
 Materials:  
 1. Contact Material: Copper Alloy.  
 2. Contact Plating: Gold Plating Over Nickel.  
 3. Insulator Material: PA-9T,Black,UL94-V0.  
 Product Number Code:



DS1149-06 - X X X X X X  
 X: Packing type  
 P: Polybag  
 X: Contact plating  
 8: Full gold flash  
 X: Housing color  
 B: Black  
 X: Mounting type  
 R: R/A type  
 X: Connector type  
 P: Plug  
 X: No. of contacts  
 2~10: 2~10Pin



(Series Image-Reference Only)

GENERAL TOLERANCE		ANGLE TOLERANCE		PROJECTION		TITLE	
X.	±0.60	X.	±5°	UNITS	mm	2.00mm Battery Holder(2~10P)	
.X	±0.38	.X	±3°	SHEET SIZE	A4	SERIES	DS1149-06 SERIES
.XX	±0.25	.XX	±2°	晨翔电子有限公司 CONNELY CONNELY ELECTRONIC CO. LTD			
DRAWING TYPE		CUSTOMER					
SCALE		1:1					
DRAWING NO.		C-DS1149-06-XXXXXX-A		SHEET		3 OF 3	