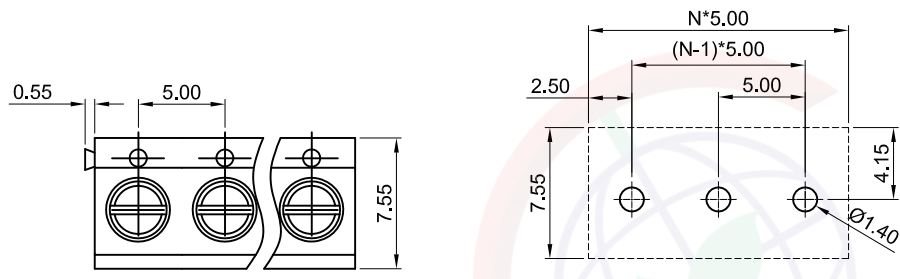


The information provided herein is from CONNELY Electronic Co., Ltd. and is confidential. Any disclosure to a party other than the recipient is prohibited. The intellectual properties and its rights contained herein, including but not limited to, trademarks, patents, copyrights, trade secrets, and technical know-how, are owned exclusively by CONNELY or its affiliates. Unauthorized use of this information in any format or manner. CONNELY may enforce its intellectual property rights at its own discretion; failures or delays to exercise such rights does not constitute a waiver of such rights.

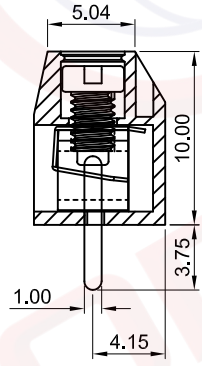
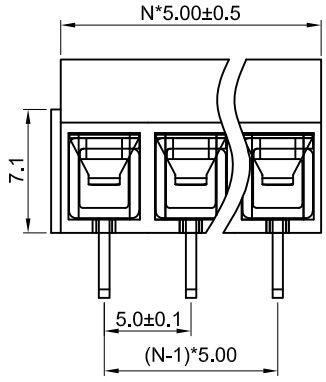
1 2 3 4 5 6 7 8

REV.	DESCRIPTION	DRAWN	CHECKED	APPROVED
A	NEW RELEASE	JLZ 09/03/22'		



N=No.of contacts

Recommend PCB layout
(Tolerance:±0.05)



NOTES:
 Standard UL
 Rated voltage:300V
 Rated current:15A
 Wrth standing voltage:AC 1000V/1 Min
 Wire range:26~14AWG
 Temp.Range:-40°C~+105°C
 Pitch:5.00mm
 Poles:2~24P

Materials:
 Contact: Copper Alloy,Tin plated.
 Insulator: Nylon.
 Wire guard:Copper Alloy,Nickel Plated.
 Screw:M2.5,Steel,Zinc Plated.
 Product Number Code:
 DS1159-23 - X X X

Contact plating
 6: Tin
 Housing color
 L:Blue
 No.of contacts
 2-24



(Series Image-Reference Only)

GENERAL TOLERANCE		ANGLE TOLERANCE		PROJECTION		TITLE	5.00mm PCB Screw Terminal
X.	±0.60	X.	±5°	UNITS	mm		Block V/T Type
.X	±0.38	.X	±3°	SHEET SIZE	A4	SERIES	DS1159-23 SERIES
.XX	±0.25	.XX	±2°	晨翔电子有限公司 CONNELY CONNELY ELECTRONIC CO. LTD			
DRAWING TYPE		CUSTOMER					
SCALE	1:1	SHEET	1 OF 1				
DRAWING NO.		C-DS1159-23-XXX-A					

1 2 3 4 5 6 7 8