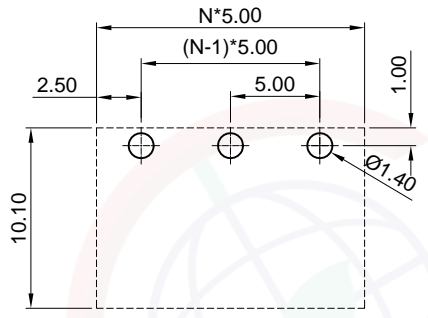
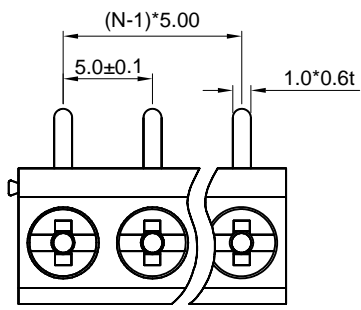


Dept	
Qty	
DC	1
ED	1
IE	1
ISO	1
PD	1
R&D	1
SD	1
QA	1
QC	1
QE	1

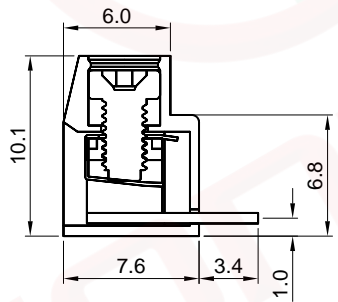
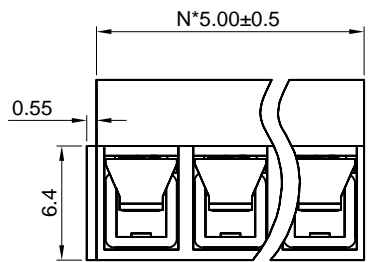
The information provided herein is from CONNELY Electronic Co., Ltd. and is confidential. Any disclosure to a party other than the recipient is prohibited. The intellectual properties and its rights contained herein, including but not limited to, trademarks, patents, copyrights, trade secrets, and technical know-how, are owned exclusively by CONNELY or its affiliates. Unauthorized use or reproduction of any part of this document is strictly prohibited. CONNELY may enforce its intellectual property rights at its own discretion, failures or delays to exercise such rights does not constitute a waiver of such rights.

REV.	DESCRIPTION	DRAWN	CHECKED	APPROVED
A	NEW RELEASE	JLZ 09/03/22'		



Recommend PCB layout
(Tolerance:±0.05)

N=No.of contacts



NOTES:

- Standard UL
- Rated voltage:300V
- Rated current:8A
- Wrth standing voltage:AC 1000V/1 Min
- Wire range:26~14AWG
- Temp.Range:-40°C~+105°C
- Pitch:5.00mm
- Poles:2~24P

Materials:

- Contact: Copper Alloy, Tin plated.
- Insulator: Nylon.
- Wire guard: Copper Alloy, Nickel Plated.
- Screw: M2.5, Steel, Zinc Plated.

Product Number Code:

DS1159-27 - X X X

- Contact plating
6: Tin
- Housing color
G:Green
- No.of contacts
2-24



(Series Image-Reference Only)

GENERAL TOLERANCE		ANGLE TOLERANCE	
X.	±0.60	X.	±5°
.X	±0.38	.X	±3°
.XX	±0.25	.XX	±2°
DRAWING TYPE		CUSTOMER	
SCALE	1:1	SHEET	1 OF 1
DRAWING NO.	C-DS1159-27-XXX-A		

PROJECTION		TITLE	5.00mm PCB Screw Terminal Block R/A Type
UNITS	mm	SERIES	DS1159-27 SERIES
SHEET SIZE	A4		

晨翔电子有限公司
CONNFLY CONNELY ELECTRONIC CO. LTD