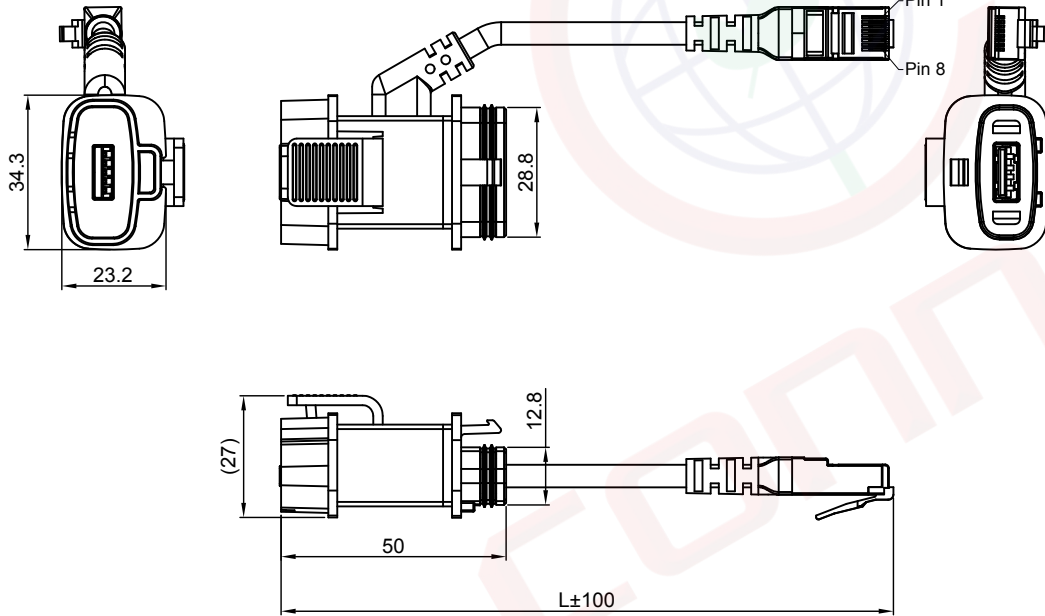


The information provided herein is from CONNPLY Electronic Co., Ltd. and is confidential. Any disclosure to a party other than the recipient is prohibited. The intellectual properties and its rights are strictly prohibited without prior written consent from CONNPLY. All intellectual properties provided herein are for reference purposes only and does not constitute authorization of its use in any format or manner. CONNPLY may enforce its intellectual property rights at its own discretion; failures or delays to exercise such rights does not constitute a waiver of such rights.

Dept	
Qty	
DC	1
ED	1
IE	1
ISO	1
PD	1
R&D	1
SD	1
QA	1
QC	1
QE	1

USB & RJ45 Plug Connection			
USB Female	Connection	USB Male	RJ45 Plug
1	↔	1	
2	↔	2	Pin4 Blue
3	↔	3	Pin5 White&Blue
4	↔	4	
5	↔	5	
6	↔	6	
7	↔	7	
8	↔	8	
9	↔	9	
Shell	↔	Shell	



REV.	DESCRIPTION	DRAWN	CHECKED	APPROVED
A	NEW RELEASE	JLZ 02/25/23'		

Notes:

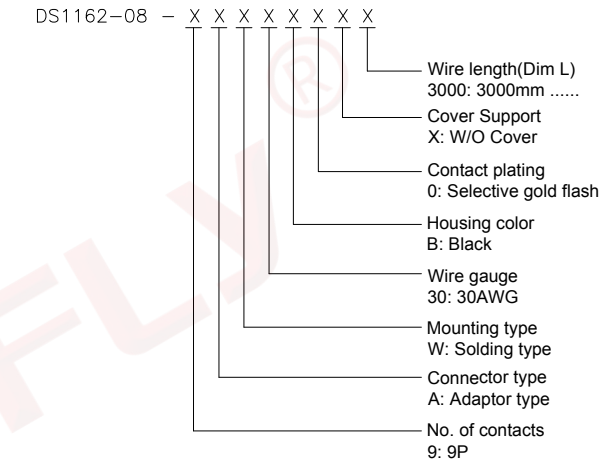
Specifications:

- Contact Resistance: 2Ω Max.
- Insulation Resistance: 500MΩ Min.
- Dielectric Withstanding Voltage: 500V AC(rms) For 1 Minute.
- Current Rating:0.5A.
- Voltage Rating:24V AC rms.
- Temperature: -40°C~+85°C.

Materials:

- Insulating material:Nylon.
- Contact material: Copper Alloy.

Product Number Code:



GENERAL TOLERANCE		ANGLE TOLERANCE		PROJECTION		TITLE	
X.	±0.60	X.	±5°	UNITS	mm	RJ45+USB 3.0 Adaptor Wire Type	
.X	±0.38	.X	±3°	SHEET SIZE	A4	SERIES	DS1162-06 SERIES
.XX	±0.25	.XX	±2°	晨翔电子有限公司 CONNPLY ELECTRONIC CO. LTD			
DRAWING TYPE		CUSTOMER					
SCALE	1:1	SHEET	1 OF 1				
DRAWING NO.		C-DS1162-08-XXXXX-A					