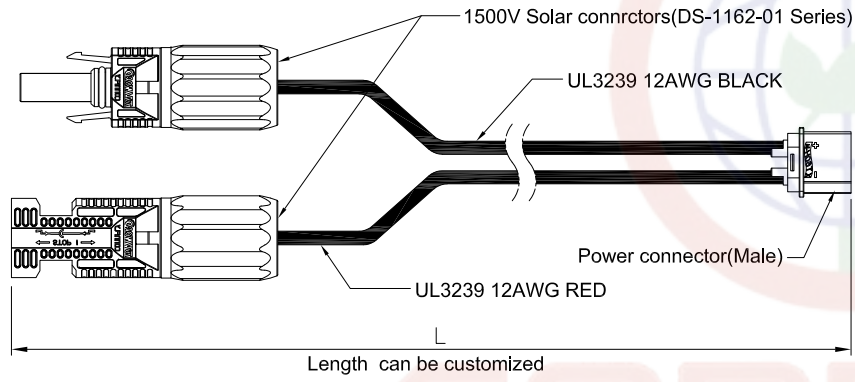
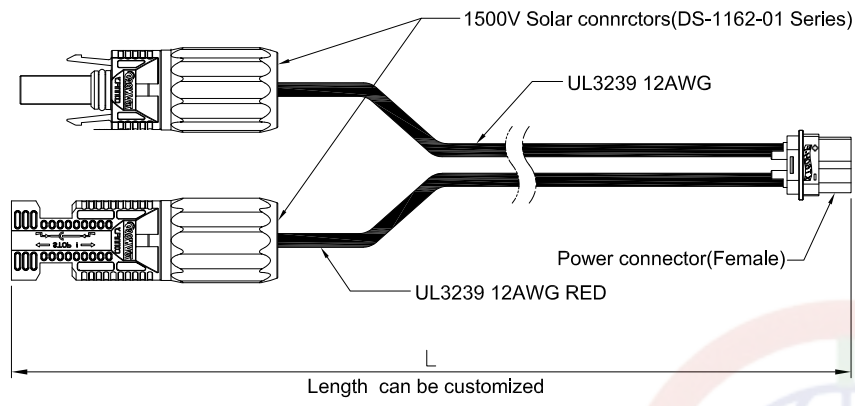


The information provided herein is from CONNFLY Electronic Co., Ltd. and is confidential. Any disclosure to a party other than the recipient is prohibited. The intellectual properties and its rights of CONNFLY Electronic Co., Ltd. are strictly protected. All intellectual properties provided herein are for reference purposes only and does not constitute authorization of its use in any format or manner. CONNFLY may enforce its intellectual property rights at its own discretion; failures or delays to exercise such rights does not constitute a waiver of such rights.

1 2 3 4 5 6 7 8

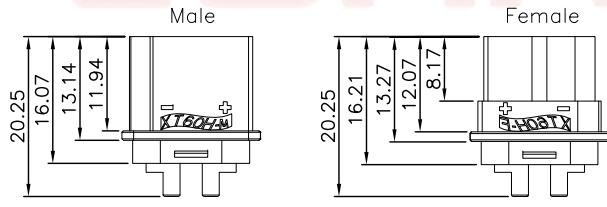
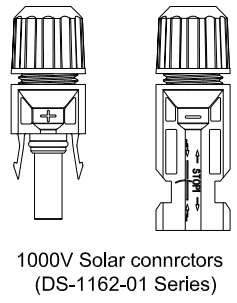
REV.	DESCRIPTION	DRAWN	CHECKED	APPROVED
A	NEW RELEASE	WPY 02/19/25'		



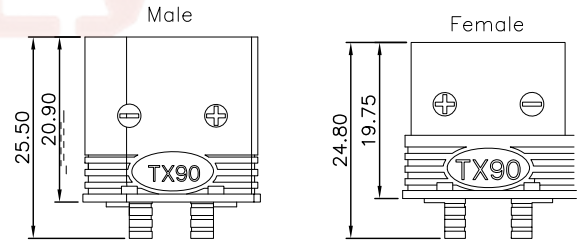
**Note:**  
**Specifications:**  
 1. Rated voltage:500V  
 2. Rated current:30/40A  
 3. Operation Temperature Range:+80° C  
**Materials:**  
 1. Cable core Insulation material:Silicone Rubber  
 2. Cable core material:Tinned starnded copper  
 3. Connrctors Insulation material:Thermoplastic  
 4. Solar connrctors Contact material:Red Copper, Tin plated.  
 5. Power connector Contact material:Copper plated with gold

**Product Number Code:**  
**DS1162-81-X X X X X X**

- Wire length(Dim L):  
0600:600mm...
- Wire diameter:  
1:12AWG
- Wire gauge:  
1:UL3239
- Voltage Type(Solar connectors):  
1:1000V 2:1500V
- Connector model(Power connector):  
1:30A Power connector with sheath (DS1171-03 Seires)  
2:45A Power connector(DS1171-04 Series)
- No. of connector:  
A:Solar connectors+Power connector(Female)  
B:Solar connectors+Power connector(Male)



DS1171-03 SERIES  
Scale:2:1



DS1171-04 SERIES  
Scale:2:1

GENERAL TOLERANCE		ANGLE TOLERANCE	
X.	±0.60	X.	±5°
.X	±0.38	.X	±3°
.XX	±0.25	.XX	±2°

PROJECTION	TITLE
	Solar connector to power connector
UNITS	mm
SHEET SIZE	A4
SERIES	DS1162-81 Series

DRAWING TYPE	CUSTOMER
SCALE	1:1 SHEET 1 OF 1
DRAWING NO.	C-DS1162-81-XXXXXX-A

**晨翔电子有限公司**  
**CONNFLY CONNFLY ELECTRONIC CO. LTD**

1 2 3 4 5 6 7 8