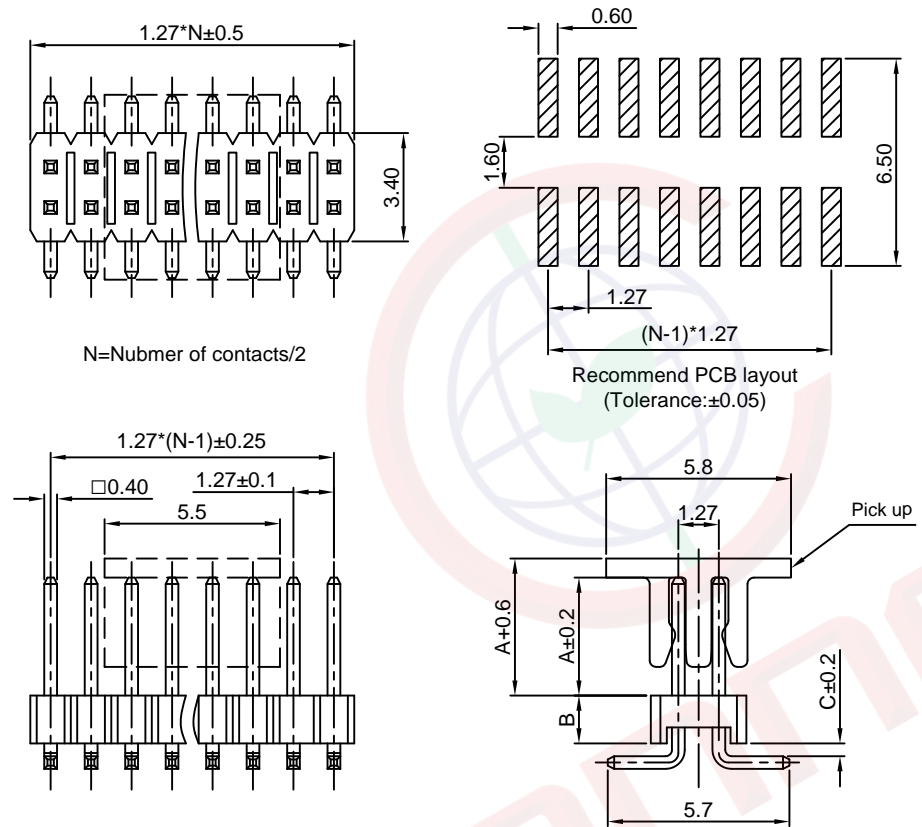


Dept	
Qty	
DC	1
ED	1
IE	1
ISO	1
PD	1
R&D	1
SD	1
QA	1
QC	1
QF	1

The information provided herein is from CONNELY Electronic Co., Ltd. and is confidential. Any disclosure to a party other than the recipient is prohibited. The intellectual properties and its rights contained herein, including but not limited to, trademarks, patents, copyrights, trade secrets, and technical know-how, are owned exclusively by CONNELY or its affiliates. Unauthorized use or reproduction of any part of this document is strictly prohibited. CONNELY may enforce its intellectual property rights at its own discretion, failures or delays to exercise such rights does not constitute a waiver of such rights.



N=Number of contacts/2

Recommend PCB layout
(Tolerance:±0.05)

Type	DIM A	DIM C
1	3.70	0.40
2	3.00	0.40
3	3.30	0.20
4	3.30	0.40
5	3.00	0.10

(Series Image-Reference Only)

REV.	DESCRIPTION	DRAWN	CHECKED	APPROVED
A	NEW RELEASE	LJH 06/22/05'		LJC 06/22/05'
F	DRAWING UPDATE	JLZ 09/16/19'		

Notes:
 Specifications:
 1. Contact Resistance: 20mΩ Max.
 2. Insulation Resistance: 500MΩ Min.
 3. Dielectric Withstanding Voltage: 300V AC(rms) For 1 Minute.
 4. Current Rating:1A.
 5. Temperature: -40°C~+105°C.
 Materials:
 1. Contact Material: Copper Alloy.
 2. Contact Plating: Gold Plating Over Nickel.
 3. Insulator Material: PA-9T,Black,UL94-V0.
 Product Number Code:
 DS1031-08 - X X X X X X X X - X

- Plating level
3A: Level 3A
- Packing type
B:Tube
R:Tape on reel
T:Tray
- Pick up support
S: W/ pick up
X: W/O pick up
- DIM.A C type
1: Type 1
or A*.*-C*.*
- Housing Dim.(DIM.B)
1: B=1.00mm 2: B=1.50mm
3: B=1.70mm 4: B=2.00mm
5: B=2.50mm
- Mounting type
S: SMT type
- Housing color
B:Black
- Contact plating
8: Full gold flash
- Connector type
P:Plug
- No.of contacts
2x2-2x40

GENERAL TOLERANCE		ANGLE TOLERANCE		PROJECTION	TITLE
X.	±0.60	X.	±5°		1.27mm Pin Header SMT Type
.X	±0.38	.X	±3°	mm	
.XX	±0.25	.XX	±2°	SHEET SIZE	A4
DRAWING TYPE		CUSTOMER		SERIES	DS1031-08 SERIES
SCALE		1:1		SHEET 1 OF 1	
DRAWING NO.		C-DS1031-08-XXXXXXX-3A-F		晨翔电子有限公司 CONNFLY CONNELY ELECTRONIC CO. LTD	