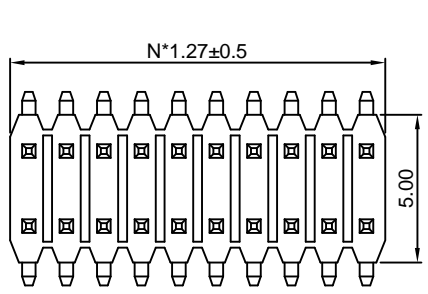


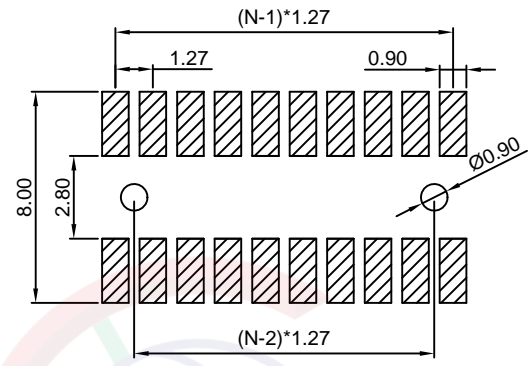
Dept	
Qty	
DC	1
ED	1
IE	1
ISO	1
PD	1
R&D	1
SD	1
QA	1
QC	1
QF	1

The information provided herein is from CONNELY Electronic Co., Ltd. and is confidential. Any disclosure to a party other than the recipient is prohibited. The intellectual properties and its rights contained herein, including but not limited to, trademarks, patents, copyrights, trade secrets, and technical know-how, are owned exclusively by CONNELY or its affiliates. Unauthorized use or reproduction of any part of this document is strictly prohibited. CONNELY may enforce its intellectual property rights at its own discretion, failures or delays to exercise such rights does not constitute a waiver of such rights.

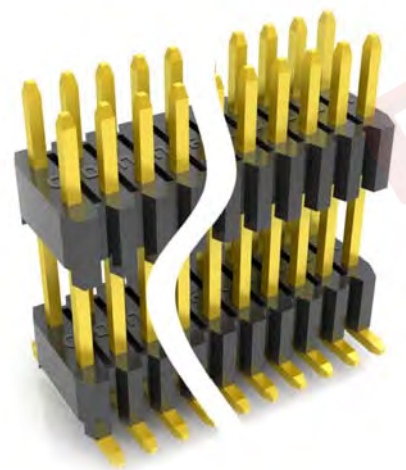
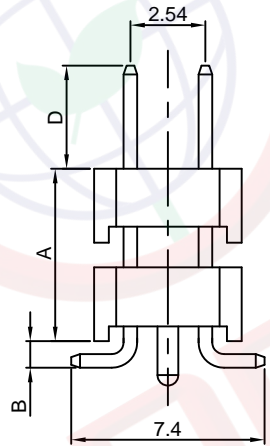
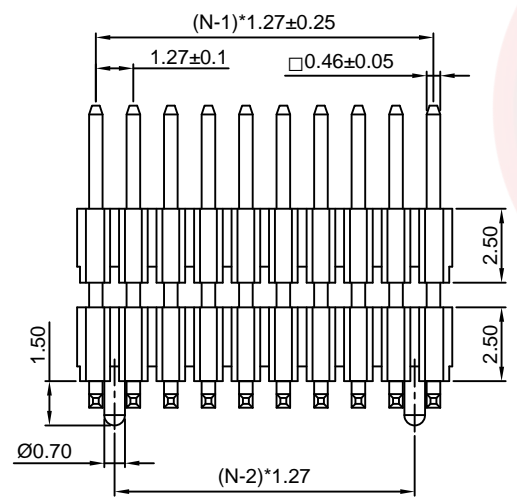
REV.	DESCRIPTION	DRAWN	CHECKED	APPROVED
A	NEW RELEASE	JLZ 11/02/15'		LJC 11/02/15'
B	DRAWING UPDATE	JLZ 08/24/20'		



No. of contacts/2



Recommend PCB layout(Tolerance:±0.05)



(Series Image-Reference Only)

Notes:

Specifications:

1. Contact Resistance: 30mΩ Max.
2. Insulation Resistance: 1000MΩ Min.
3. Dielectric Withstanding Voltage: 300V AC(rms) For 1 Minute.
4. Current Rating:1A.
5. Temperature: -40°C~+105°C.

Materials:

1. Contact Material: Copper Alloy.
2. Contact Plating: Gold Plating Over Nickel.
3. Insulator Material: High temp,Black,UL94-V0.

Product Number Code:

DS1031-32 - X X X X X X X X - X

- Plating level
3A:Level 3A
- Packing type
B:Tube
R:Tape on reel
- Post support
S:W/ Post
X:W/O Post
- DIM.A B D type
A*.-B*.-D**
- Profile height
5:2.5mm
- Housing color
B:Black
- Contact plating
8: Full gold flash
- Mounting type
S:SMT type
- No. of contacts
2x3-2x40

GENERAL TOLERANCE		ANGLE TOLERANCE	
X.	±0.60	X.	±5°
.X	±0.38	.X	±3°
.XX	±0.25	.XX	±2°
DRAWING TYPE		CUSTOMER	
SCALE		1:1	SHEET 1 OF 1
DRAWING NO.		C-DS1031-32-XXXXXXX-X-B	

PROJECTION		TITLE	1.27*2.54mm Pin Header Double Row Stack SMT W/ Post Type
UNITS	mm		
SHEET SIZE	A4	SERIES	DS1031-32 SERIES

晨翔电子有限公司
CONNFLY CONNELY ELECTRONIC CO. LTD