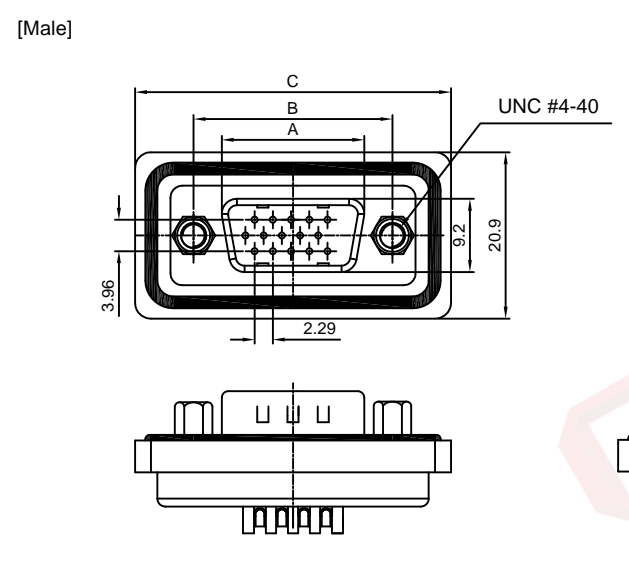
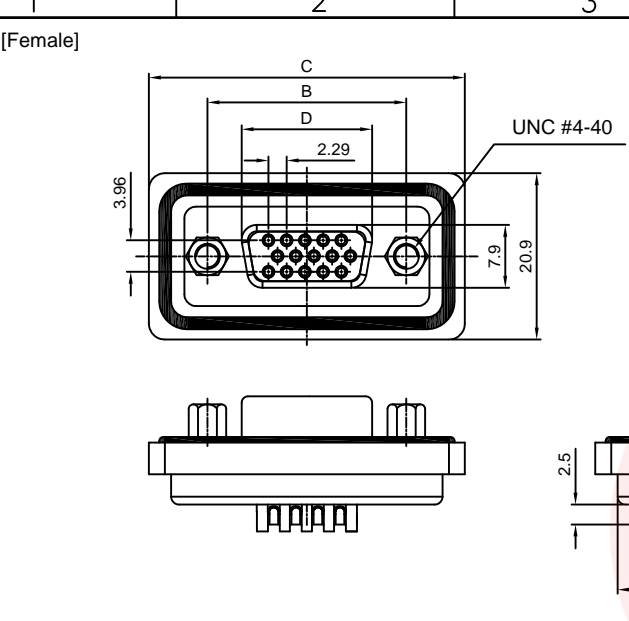


The information provided herein is from CONNELY Electronic Co., Ltd. and is confidential. Any disclosure to a party other than the recipient is prohibited. The intellectual properties and its rights contained herein, including but not limited to, trademarks, patents, copyrights, trade secrets, and technical know-how, are owned exclusively by CONNELY or its affiliates. Unauthorized use or reproduction of any part of this document is strictly prohibited. CONNELY may enforce its intellectual property rights at its own discretion, failures or delays in exercising such rights does not constitute a waiver of such rights.



(Series Image-Reference Only)

Dimension

Position	A±0.2	B±0.2	C±0.3	D
15	17.90	24.99	39.60	16.33
26	26.50	33.32	48.00	24.66
44	40.00	47.04	61.80	38.38

REV.	DESCRIPTION	DRAWN	CHECKED	APPROVED
A	NEW RELEASE	JLZ 01/29/19'		

NOTES:

- Electrical characteristics:
  - Contact resistance: 20mΩ Max. Initial.
  - Dielectric withstanding voltage: 500V AC(rms) for 1 minute.
  - Insulation resistance: 1000MΩ Min.
- Environment characteristics:
  - Temperature range: -40°C~+105°C.
- Materials:
  - Insulator:PBT+Glass fiber
  - Shell:Steel
  - Contact:Copper alloy
- Product number code:

DS1035-03- X X X X X X

- X Screw material
- C: Copper Alloy
- F: Steel
- X Contact plating
- 8: Full gold flash
- X Shell plating
- N: Nickel
- X Housing color
- B: Black
- W: White
- X Connector type
- M: Male
- F: Female
- X No. of contacts
- 15,26,44

GENERAL TOLERANCE		ANGLE TOLERANCE		PROJECTION		TITLE	Water Proof H.D-SUB	
X.	±0.60	X.	±5°	UNITS	mm	Machine Pin Solder Type		
.X	±0.38	.X	±3°	SHEET SIZE	A4	SERIES	DS1035-03 SERIES	
.XX	±0.25	.XX	±2°	<b>晨翔电子有限公司</b> <b>CONNFLY ELECTRONIC CO. LTD</b>				
DRAWING TYPE		CUSTOMER						
SCALE	1:1	SHEET	1 OF 1					
DRAWING NO.		C-DS1035-03-XXXXX-A						