

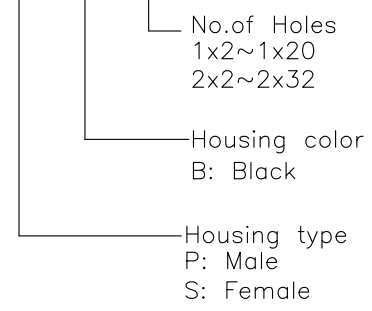
| | | | | | | | | | |
|---|---|---|---|---|------|-------------|---------------|--|----------|
| 1 | 2 | 3 | 4 | 5 | 6 | 7 | 8 | | |
| A | Female Housing | | | | REV. | DESCRIPTION | DRAWN | CHECKED | APPROVED |
| B |  <p>N=No. of Holes</p> <p>2.54±0.1</p> <p>(N-1)*2.54±0.25</p> | | | | A | NEW RELEASE | JLZ 10/20/16' |  | |
| C |  <p>Male Housing</p> | | | | | | | | |
| D |  <p>N*2.54+0.52</p> <p>4.10</p> <p>12.25</p> <p>13.75±0.25</p> <p>N*2.54+2.12</p> | | | | | | | | |
| E |  <p>23.8</p> <p>N*2.54+2.34</p> | | | | | | | | |
| F |  <p>Female Housing</p> <p>(N-1)*2.54±0.25</p> <p>2.54±0.1</p> <p>3.50</p> <p>5.00</p> <p>2.54±0.1</p> <p>(N-1)*2.54±0.25</p> <p>8.40</p> <p>N=No. of Holes</p> | | | | | | | | |
| G |  <p>6.30</p> <p>5.30</p> <p>12.0</p> <p>13.7</p> <p>N*2.54+0.44</p> <p>N*2.54+2.04</p> | | | | | | | | |
| H | <p>N=No. of Holes/2(Double row)</p> | | | | | | | | |

NOTES:

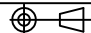

- MAIN SPECIFICATIONS
 - Housing material: Plastic
 - Rated voltage: 250V
 - Rated current: 3A
 - Contact resistance: ≤ 30mΩ
 - Insulation resistance: ≥ 1000MΩ
 - Withstanding voltage: 1000V, AC 1 minute
 - Temperature range: -25°C ~ +85°C

2. PRODUCT NUMBER CODE:

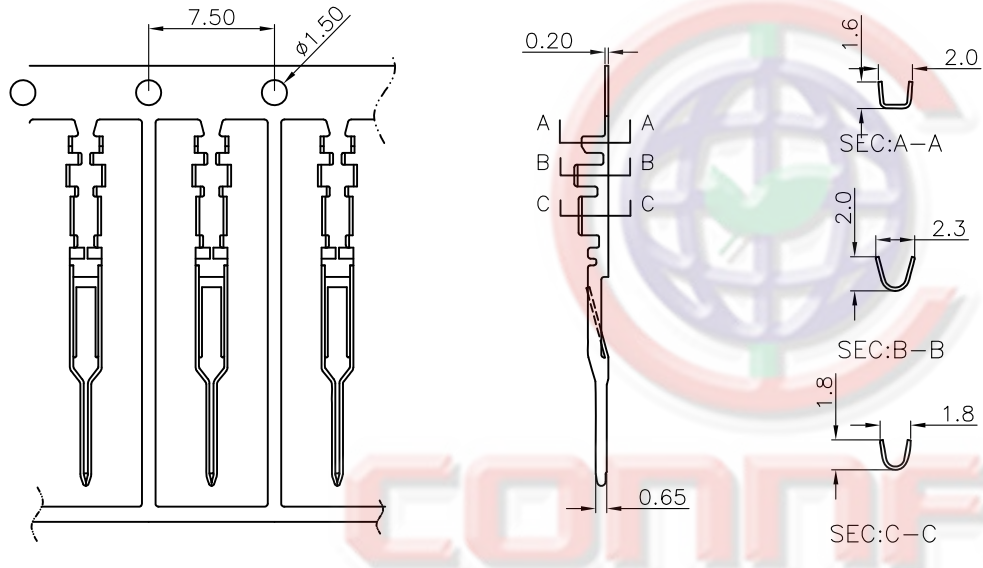
I-DS1070-07- X C B 0 X



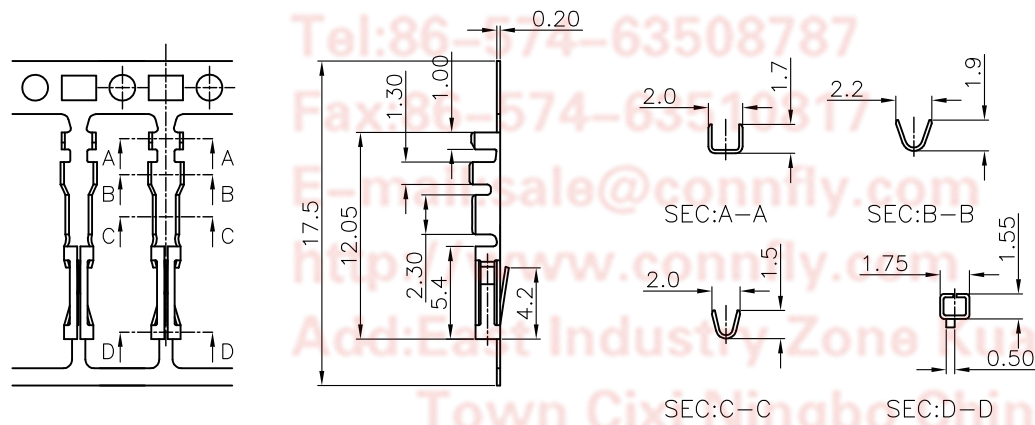
Tel: 86-574-63505737
 Fax: 86-574-63510577
 E-mail: sale@connfly.com
 http://www.connfly.com
 Add: East Industry Zone KuangYan
 Town Cixi Ningbo China
 P.C: 315333

| | | | | | | | | |
|-------------------|-------|---------------------|--------|---|---|--------|-----------------------------|--|
| GENERAL TOLERANCE | | ANGLE TOLERANCE | | PROJECTION |  | TITLE | 2.54mm Crimp Type Connector | |
| X. | ±0.60 | X. | ±5° | UNITS | mm | | | |
| .X | ±0.38 | .X | ±3° | SHEET SIZE | A4 | SERIES | DS1070-07 SERIES | |
| .XX | ±0.25 | .XX | ±2° |  晨翔电子有限公司 CONNFLY ELECTRONIC CO., LTD | | | | |
| DRAWING TYPE | | CUSTOMER | | | | | | |
| SCALE | 1:1 | SHEET | 1 OF 2 | | | | | |
| DRAWING NO. | | C-DS1070-07-XXXXX-A | | | | | | |

Male terminal



Female terminal



| REV. | DESCRIPTION | DRAWN | CHECKED | APPROVED |
|------|-------------|---------------|---------|----------|
| A | NEW RELEASE | JLZ 10/20/16' | | |
| | | | | |
| | | | | |

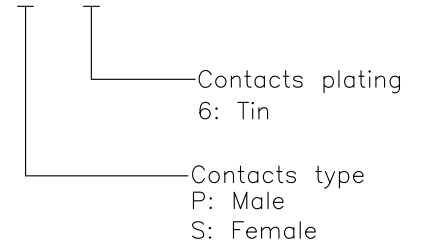
NOTES:

1. MAIN SPECIFICATIONS

- . Terminal material: Copper Alloy, Tin plated
- . Rated voltage: 250V
- . Rated current: 3A
- . Contact resistance: $\leq 30m\Omega$
- . Insulation resistance: $\geq 1000M\Omega$
- . Withstanding voltage: 1000V, AC 1 minute
- . Temperature range: $-25^{\circ}C \sim +85^{\circ}C$
- . Wire Range: AWG#30~#22

2. PRODUCT NUMBER CODE:

T-DS1070-07- X C X 0 0



Tel: 86-574-63508787
 Fax: 86-574-63519317
 E-mail: sale@connfly.com
 http://www.connfly.com
 Add: East Industry Zone, KuangYan
 Town, Cixi, Ningbo, China
 P.C: 315333

| | | | | | | | | | |
|-------------------|------------|---------------------|-----------------|---|----|------------|-----------------------------|--------|------------------|
| GENERAL TOLERANCE | | ANGLE TOLERANCE | | PROJECTION | | TITLE | 2.54mm Crimp Type Connector | | |
| X. | ± 0.60 | X. | $\pm 5^{\circ}$ | UNITS | mm | SHEET SIZE | A4 | SERIES | DS1070-07 SERIES |
| .X | ± 0.38 | .X | $\pm 3^{\circ}$ | 晨翔电子有限公司 CONNFLY CONNFLY ELECTRONIC CO., LTD | | | | | |
| .XX | ± 0.25 | .XX | $\pm 2^{\circ}$ | | | | | | |
| DRAWING TYPE | | CUSTOMER | | SCALE | | | | | |
| SCALE | | 1:1 | | SHEET | | 2 OF 2 | | | |
| DRAWING NO. | | C-DS1070-07-XXXXX-A | | DRAWING NO. | | | | | |