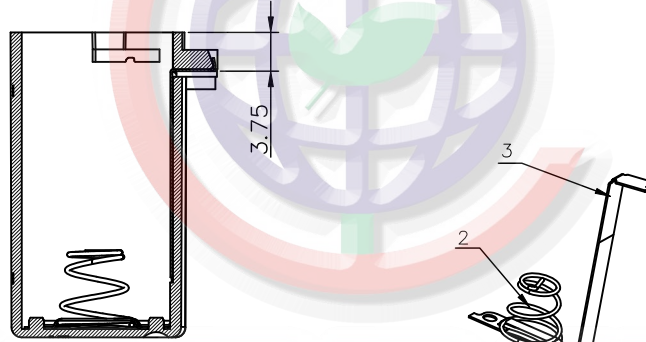
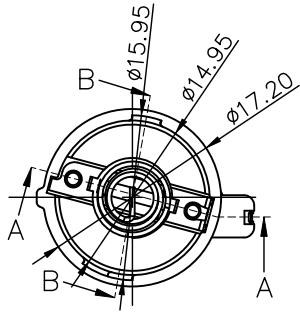


REV.	DESCRIPTION	DRAWN	CHECKED	APPROVED
A	NEW RELEASE	JLZ 12/13/17'		

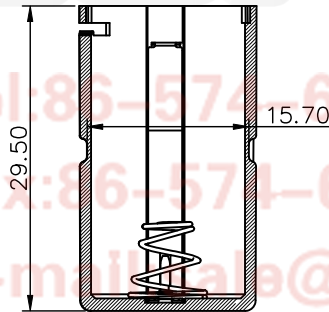
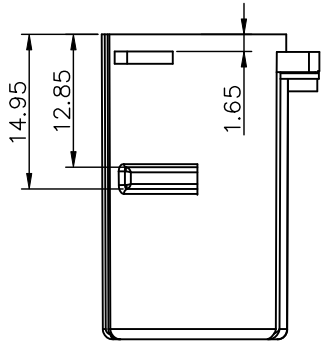
NOTES:

- ELECTRICAL CHARACTERISTICS:
  - CONTACT RESISTANCE: 260mΩ Max.
  - DIELECTRIC WITHSTANDING VOLTAGE: 500V AC(rms) FOR 1 MINUTE.
  - INSULATION RESISTANCE: 100MΩ Min.
  - CURRENT RATING: 1A.
  - VOLTAGE RATING: 30V DC.
- ENVIRONMENT CHARACTERISTICS:
  - TEMPERATURE: -25°C~+70°C.
- MATERIALS
  - CONTACT MATERIAL: COPPER ALLOY, NICKEL PLATED.
  - INSULATOR MATERIALS: PC, GRAY.
- PRODUCT NUMBER CODE:  
DS1092-24-X X X 0 X 0

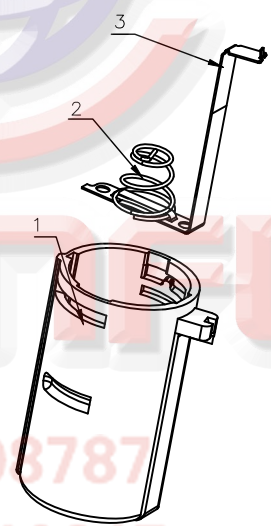
- Packing Type  
P: Ploybag
- Housing Color  
A: Gray
- Contact Plating  
N: Nickel
- Mounting Type  
P: Press Fit
- Connector Type  
F: Female



SECTION A-A  
SCALE 1:1



SECTION B-B  
SCALE 1:1



Tel: 86-574-63508787  
 Fax: 86-574-63510817  
 E-mail: sales@connfly.com  
 http://www.connfly.com  
 Add: East Industry Zone KuangYan  
 Town Civi Ningbo China  
 P.C: 315333

3	Contact	Copper Alloy	Nickel Plated
2	Spring	Stainless steel	-
1	Housing	PC	Gray, UL94 V-0
ITEM	PART NAME	MATERIALS	FINISHED

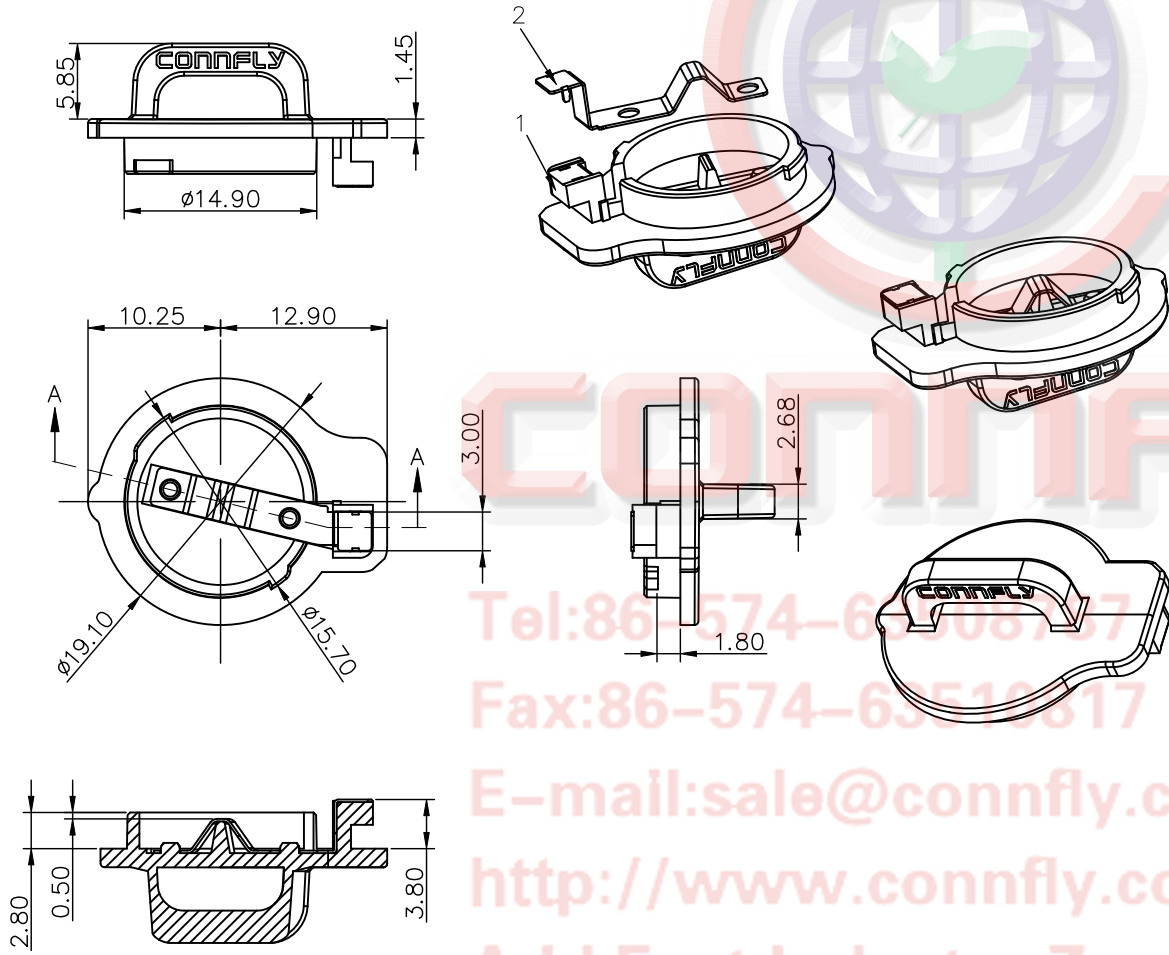
GENERAL TOLERANCE		ANGLE TOLERANCE	
X.	±0.60	X.	±5°
.X	±0.38	.X	±3°
.XX	±0.25	.XX	±2°

DRAWING TYPE	CUSTOMER	
SCALE	1:1	SHEET 1 OF 2
DRAWING NO.	C-DS1092-24-XXXX0X0-A	

PROJECTION	TITLE	Battery Holders Barrel Type Box	
		SHEET SIZE	DS1092-24 SERIES
UNITS	mm		

晨翔电子有限公司  
**CONNFLY CONNFLY ELECTRONIC CO. LTD**

REV.	DESCRIPTION	DRAWN	CHECKED	APPROVED
A	NEW RELEASE	JLZ 12/13/17'		



NOTES:

- ELECTRICAL CHARACTERISTICS:
  - CONTACT RESISTANCE: 260mΩ Max.
  - DIELECTRIC WITHSTANDING VOLTAGE: 500V AC(rms) FOR 1 MINUTE.
  - INSULATION RESISTANCE: 100MΩ Min.
  - CURRENT RATING: 1A.
  - VOLTAGE RATING: 30V DC.
- ENVIRONMENT CHARACTERISTICS:
  - TEMPERATURE: -25°C~+70°C.
- MATERIALS
  - CONTACT MATERIAL: COPPER ALLOY, NICKEL PLATED.
  - INSULATOR MATERIALS: PC, GRAY.
- PRODUCT NUMBER CODE:
 

DS1092-24-X X X X 0 X 0

Packing Type  
 P: Ploybag  
 Housing Color  
 A: Gray  
 Contact Plating  
 N: Nickel  
 Mounting Type  
 P: Press Fit  
 Connector Type  
 M: Male

SECTION A-A  
SECTION A-A  
SCALE 1:1  
SCALE 1:1

Tel:86-574-63518817  
 Fax:86-574-63518817  
 E-mail:sale@connfly.com  
 http://www.connfly.com  
 Add:East Industry Zone KuangYan  
 Town Cixi Ningbo China  
 P.C:315333

GENERAL TOLERANCE		ANGLE TOLERANCE	
X.	±0.60	X.	±5°
.X	±0.38	.X	±3°
.XX	±0.25	.XX	±2°

PROJECTION	TITLE	Battery Holders Barrel Type Cover	
UNITS	mm		
SHEET SIZE	A4	SERIES	DS1092-24 SERIES

2	Contact	Copper Alloy	Nickel Plated
1	Housing	PC	Gray, UL94 V-0
ITEM	PART NAME	MATERILAS	FINISHED

DRAWING TYPE	CUSTOMER	
SCALE	1:1	SHEET 2 OF 2
DRAWING NO.	C-DS1092-24-XXXX0X0-A	

**晨翔电子有限公司**  
**CONNFLY CONNFLY ELECTRONIC CO. LTD**