

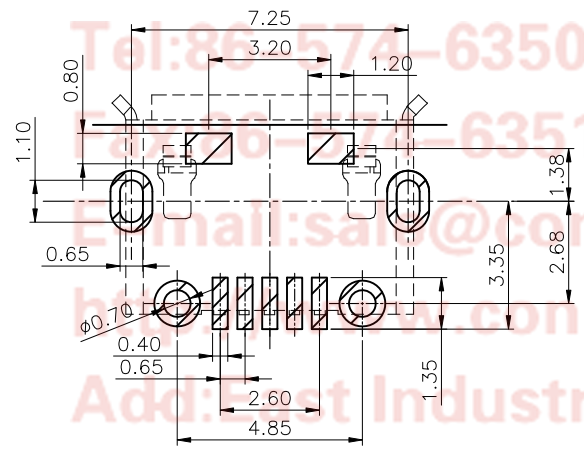
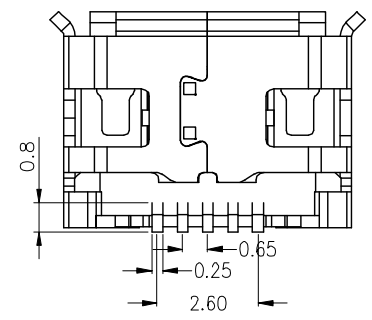
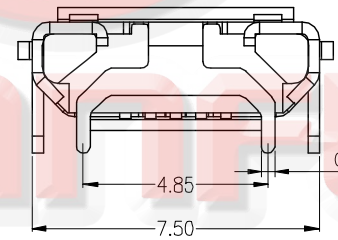
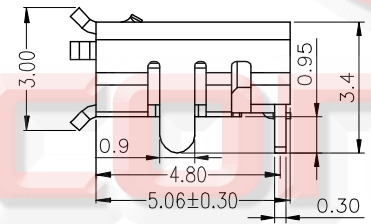
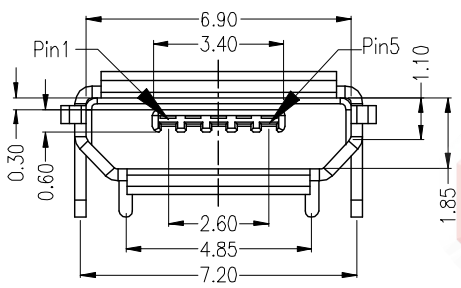
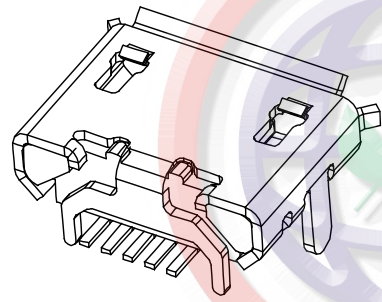
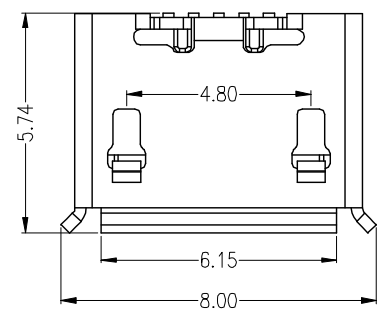
| REV. | DESCRIPTION | DRAWN | CHECKED | APPROVED |
|------|-------------|---------------|---------|----------|
| A | NEW RELEASE | JLZ 03/03/16' | ~ | |
| | | | | |
| | | | | |

NOTES:

- 1.1 INSULATOR RESISTANCE: 100MΩ Min. AT 100V DC.
- 1.2 CURRENT RATING: 1.8A FOR PIN1 AND PIN5.
- 1.3 DIELECTRIC STRENGTH: AC 100V FOR 1 Minute.
- 1.4 HOUSING: THERMOPLASTIC (UL 94-0).
- 1.5 CONTACT: COPPER ALLOY
- 1.6 SHELL: COPPER ALLOY
- 1.7 PRODUCT NUMBER CODE:

DS1105-08 - X X X X

- CONTACT PLATED:
- 0: Selective Gold Flash
- 8: Gold Flash
- MOUNTING TYPE:
- S: SMT
- SHELL PLATED:
- N: Nickel
- 6: Tin
- COLOR OF HOUSING:
- B: Black
- W: White



RECOMMENDED PCB LAYOUT

Tel: 86-574-63508787
 Fax: 86-574-63510817
 E-mail: sales@connfly.com
 http://www.connfly.com
 Add: East Industry Zone KuangYan
 Town Cixi Ningbo China
 P.C: 315333

| | | | | | | | | |
|-------------------|-------|--------------------|--------|--|----|--------|-------------------------|--|
| GENERAL TOLERANCE | | ANGLE TOLERANCE | | PROJECTION | | TITLE | MICRO USB B TYPE FEMALE | |
| X. | ±0.60 | X. | ±5° | UNITS | mm | | 5P SMT TYPE | |
| .X | ±0.38 | .X | ±3° | SHEET SIZE | A4 | SERIES | DS1105-08 SERIES | |
| .XX | ±0.25 | .XX | ±2° | 晨翔电子有限公司 CONNFLY CONNFLY ELECTRONIC CO. LTD | | | | |
| DRAWING TYPE | | CUSTOMER | | | | | | |
| SCALE | 1:1 | SHEET | 1 OF 1 | | | | | |
| DRAWING NO. | | C-DS1105-08-XXXX-A | | | | | | |