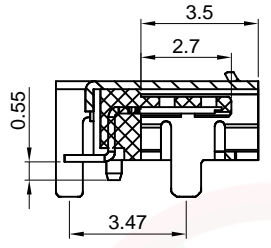
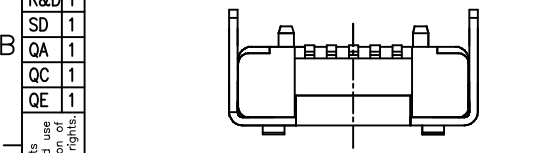


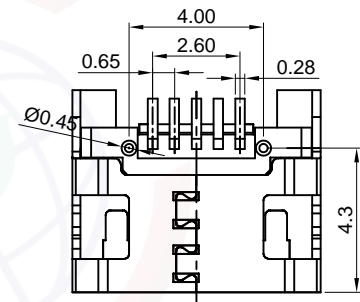
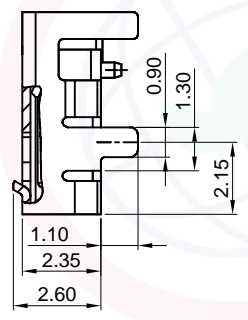
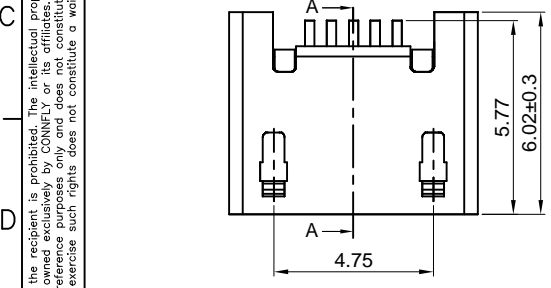
Dept	
Qty	
DC	1
ED	1
IE	1
ISO	1
PD	1
R&D	1
SD	1
QA	1
QC	1
QE	1

The information provided herein is from CONNELY Electronic Co., Ltd. and is confidential. Any disclosure to a party other than the recipient is prohibited. The intellectual properties and its rights contained herein, including but not limited to, trademarks, patents, copyrights, trade secrets, and technical know-how, are owned exclusively by CONNELY or its affiliates. Unauthorized use or reproduction of any part of this document is strictly prohibited. CONNELY may enforce its intellectual property rights at its own discretion, failures or delays to exercise such rights does not constitute a waiver of such rights.

REV.	DESCRIPTION	DRAWN	CHECKED	APPROVED
A	NEW RELEASE	JLZ 09/04/17'		
B	DRAWING UPDATE	JLZ 12/08/21'		



Section A-A

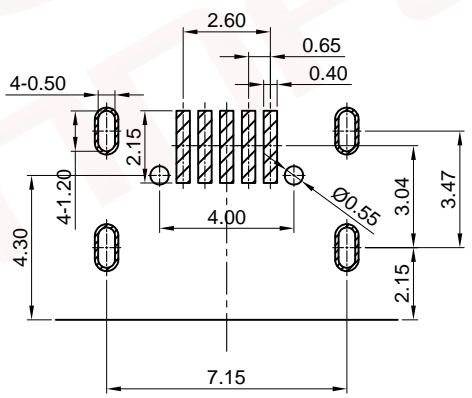
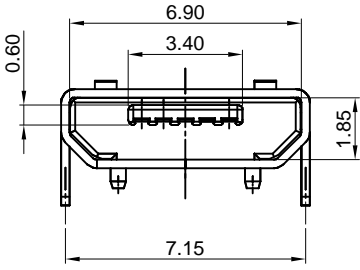


NOTES:

- 1.1 Insulator resistance: 100MΩ Min. AT 100V DC.
- 1.2 Current rating: 1.0A.
- 1.3 Dielectric strength: AC 100V FOR 1 Minute.
- 1.4 HOUSING: THERMOPLASTIC (UL 94-0).
- 1.5 Contact: Copper alloy
- 1.6 Shell: Copper alloy
- 1.7 Product number code:

DS1105-10 - X X X X X

- Packing type:
R: Tape on reel
- Contact plated:
8: Full gold flash
- Mounting type:
S: SMT
- Shell Plated:
6: Tin
- Color of housing:
B: Black



Recommend PCB layout
Tolerance: ±0.05



(Series Image-Reference Only)

GENERAL TOLERANCE		ANGLE TOLERANCE	
X.	±0.60	X.	±5°
.X	±0.38	.X	±3°
.XX	±0.25	.XX	±2°
DRAWING TYPE		CUSTOMER	
SCALE		1:1	SHEET 1 OF 1
DRAWING NO.		C-DS1105-10-XXXXX-B	

PROJECTION		TITLE	Micro USB Female 5 Positions SMT
UNITS	mm		W/ Post W/O Flange Type
SHEET SIZE	A4	SERIES	DS1105-10 SERIES

晨翔电子有限公司
CONNFLY CONNELY ELECTRONIC CO. LTD