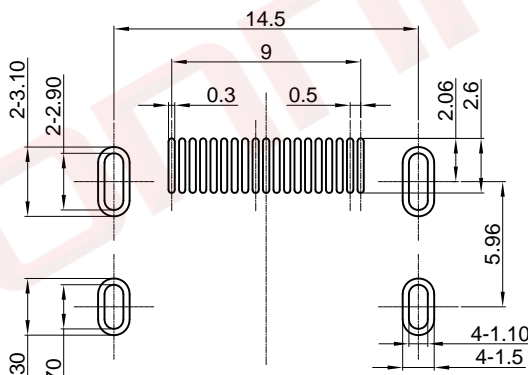
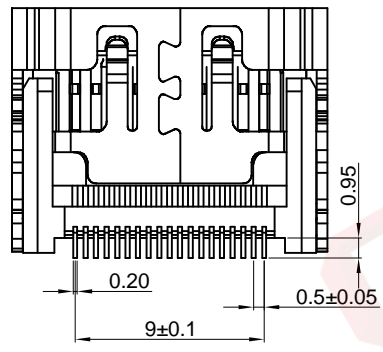
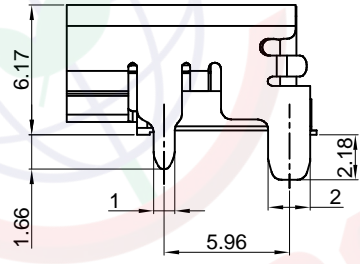
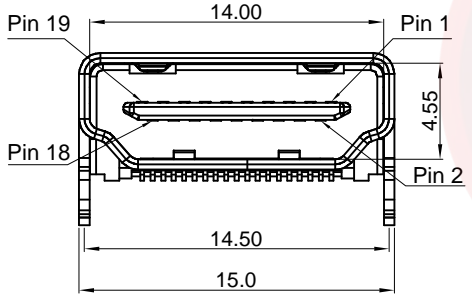
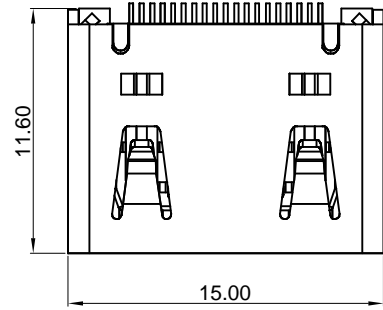


Dept	
Qty	
DC	1
ED	1
IE	1
ISO	1
PD	1
R&D	1
SD	1
QA	1
QC	1
QE	1

The information provided herein is from CONNELY Electronic Co., Ltd. and is confidential. Any disclosure to a party other than the recipient is prohibited. The intellectual properties and its rights contained herein, including but not limited to, trademarks, patents, copyrights, trade secrets, and technical know-how, are owned exclusively by CONNELY or its affiliates. Unauthorized use or reproduction of any part of this document without the prior written permission of CONNELY may result in legal action. CONNELY may enforce its intellectual property rights at its own discretion, failures or delays to exercise such rights does not constitute a waiver of such rights.

REV.	DESCRIPTION	DRAWN	CHECKED	APPROVED
A	NEW RELEASE	HP 18/07/05'		
D	DRAWING UPDATE	JLZ 09/09/21'		



Recommend PCB layout
(Tolerance:±0.05)



(Series Image-Reference Only)

Notes:

- Electrical Characteristics:
 - Contact Resistance: 50mΩ Max.
 - Dielectric Withstanding Voltage: 100V AC(rms) For 1 Minute.
 - Insulation Resistance: 100MΩ Min.
- Environment Characteristics:
 - Temperature: -20°C~+85°C.
- Materials:
 - Contact Material: Copper Alloy.
 - Contact Plating: Selective gold Over Nickel.
 - Insulator Materials: LCP,Black,UL94-V0.
 - Shell: Copper Alloy.
- Product Number Code:

DS1114 - X X X X X

- Packing type
R:Tape on reel
T:Tray
- Mylar support
X:W/O Mylar
- Contact Plating
0: Selective gold flash
C: selective 3u" gold
1: selective 10u" gold
3: selective 30u" gold
- Shell plating
N: Nickel
- Color of housing
B: Black

GENERAL TOLERANCE		ANGLE TOLERANCE		PROJECTION		TITLE	HDMI 19Pin Female SMT Without Flange	
X.	±0.60	X.	±5°	UNITS	mm			
.X	±0.38	.X	±3°	SHEET SIZE	A4	SERIES	DS1114 SERIES	
.XX	±0.25	.XX	±2°	晨翔电子有限公司 CONNFLY ELECTRONIC CO. LTD				
DRAWING TYPE		CUSTOMER						
SCALE		1:1						
DRAWING NO.		C-DS1114-XXXXX-D						