

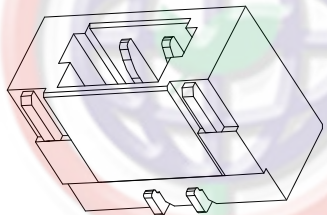
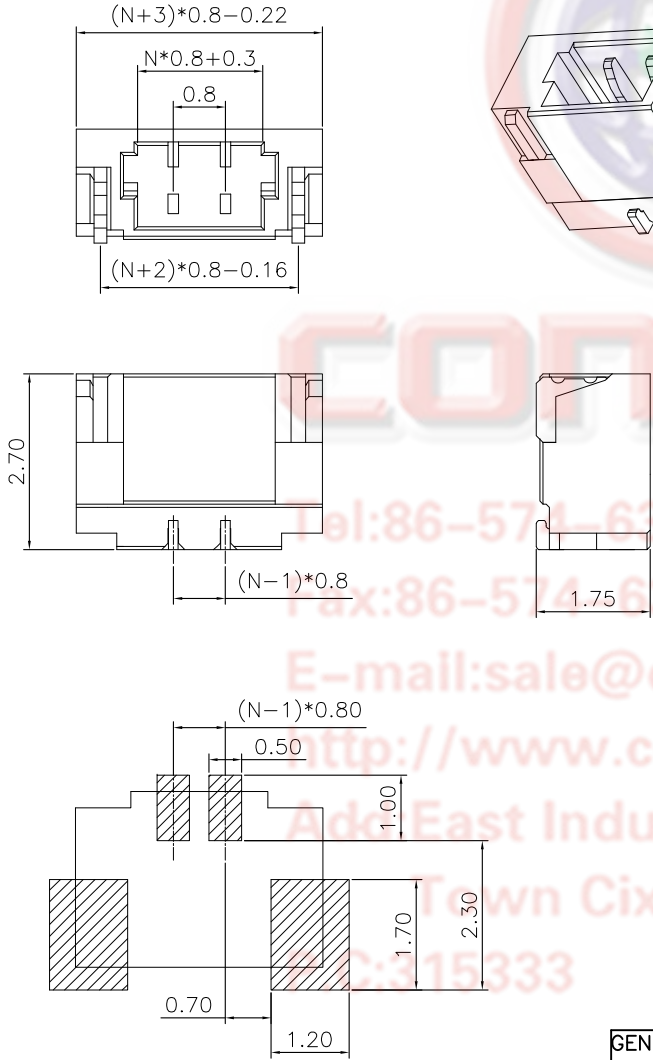
The information provided herein is from CONNELY Electronic Co., Ltd. and is confidential. Any disclosure to a party other than the recipient is prohibited. The intellectual properties and its rights contained herein, including but not limited to, trademarks, patents, copyrights, trade secrets, and technical know-how, are owned exclusively by CONNELY or its affiliates. Unauthorized use of this information in any format or manner. CONNELY may enforce its intellectual property rights at its own discretion; failures or delays to exercise such rights does not constitute a waiver of such rights.

1 2 3 4 5 6 7 8

Dept	DC	ED	IE	ISO	PD	R&D	SD	QA	QC	QE
Qty	1	1	1	1	1	1	1	1	1	1

REV.	DESCRIPTION	DRAWN	CHECKED	APPROVED
A	NEW RELEASE	JLZ 08/11/18'		

N=No.OF CONTACTS



NOTES:

- CHARACTERISTICS:
 - CONTACT RESISTANCE: 20mΩ Max.
 - DIELECTRIC WITHSTANDING VOLTAGE: 500V AC(rms) FOR 1 MINUTE.
 - INSULATION RESISTANCE: 500MΩ Min.
 - CURRENT RATING: 1A.
- ENVIRONMENT CHARACTERISTICS:
 - TEMPERATURE: -25°C~+85°C.
- MATERIALS
 - CONTACT MATERIAL: COPPER ALLOY.
 - CONTACT PLATING: TIN.
 - INSULATOR MATERIALS: HIGH TEMP, NATURAL.
- PRODUCT NUMBER CODE:

DS1147-07 - X X X X 0 X 0

PACKING TYPE
 B: TUBE
 R: TAPE ON REEL
 HOUSING COLOR
 V: IVORY
 CONTACT PLATING
 8: GOLD FLASH
 M: MATT TIN
 MOUNTING TYPE
 S: SMT TYPE
 CONNECTOR TYPE
 M: MALE
 No.OF CONTACTS
 02~22

RECOMMEND PCB LAYOUT

GENERAL TOLERANCE		ANGLE TOLERANCE		PROJECTION		TITLE	0.8mm Wire To Board Connectors		
X.	±0.60	X.	±5°	UNITS	mm	SHEET SIZE	A4	SERIES	DS1147-07 SERIES
.X	±0.38	.X	±3°	晨翔电子有限公司 CONNFLY CONNELY ELECTRONIC CO. LTD					
.XX	±0.25	.XX	±2°						
DRAWING TYPE		CUSTOMER		SCALE					
SCALE		1:1	SHEET		1 OF 2				
DRAWING NO.		C-DS1147-07-XXXXX0XX-A							

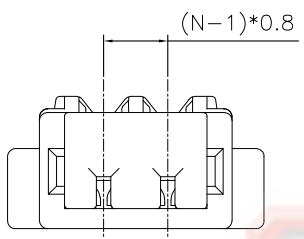
1 2 3 4 5 6 7 8

The information provided herein is from CONNELY Electronic Co., Ltd. and is confidential. Any disclosure to a party other than the recipient is prohibited. The intellectual properties and its rights contained herein, including but not limited to, trademarks, patents, copyrights, trade secrets, and technical know-how, are owned exclusively by CONNELY or its affiliates. Unauthorized use of this information in any format or manner. CONNELY may enforce its intellectual property rights at its own discretion; failures or delays to exercise such rights does not constitute a waiver of such rights.

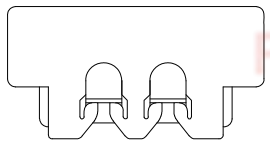
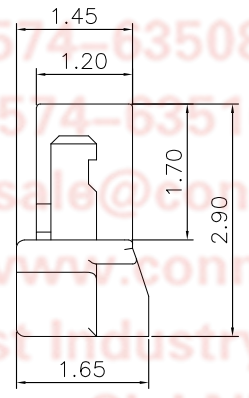
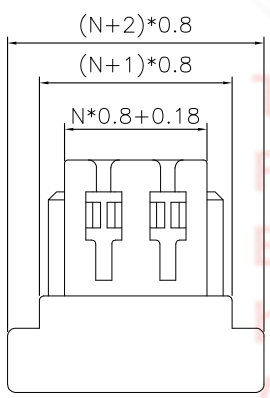
1 2 3 4 5 6 7 8

REV.	DESCRIPTION	DRAWN	CHECKED	APPROVED
A	NEW RELEASE	JLZ 08/11/18'		

- NOTES:
- CHARACTERISTICS:
 - CONTACT RESISTANCE: 20mΩ Max.
 - DIELECTRIC WITHSTANDING VOLTAGE: 500V AC(rms) FOR 1 MINUTE.
 - INSULATION RESISTANCE: 500MΩ Min.
 - CURRENT RATING: 1A.
 - ENVIRONMENT CHARACTERISTICS:
 - TEMPERATURE: -25°C~+85°C.
 - MATERIALS
 - CONTACT MATERIAL: COPPER ALLOY.
 - CONTACT PLATING: GOLD.
 - INSULATOR MATERIALS: NYLON, NATURAL.
 - PRODUCT NUMBER CODE:
DS1147-07 - X X X X 0 X 0



N=No.OF CONTACTS



- PACKING TYPE
P: POLYBAG
- HOUSING COLOR
W: WHITE
- CONTACT PLATING
8: GOLD FLASH
- MOUNTING TYPE
D: IDC TYPE
- CONNECTOR TYPE
F: FEMALE
- No.OF CONTACTS
02~22

GENERAL TOLERANCE		ANGLE TOLERANCE		PROJECTION		TITLE	0.8mm Wire To Board Connectors				
X.	±0.60	X.	±5°	UNITS	mm	SERIES	DS1147-07 SERIES				
.X	±0.38	.X	±3°	SHEET SIZE	A4						
.XX	±0.25	.XX	±2°								
DRAWING TYPE		CUSTOMER			晨翔电子有限公司 CONNFLY CONNFLY ELECTRONIC CO. LTD						
SCALE		1:1	SHEET							2 OF 2	
DRAWING NO.		C-DS1147-07-XXXXX0XX-A									

1 2 3 4 5 6 7 8