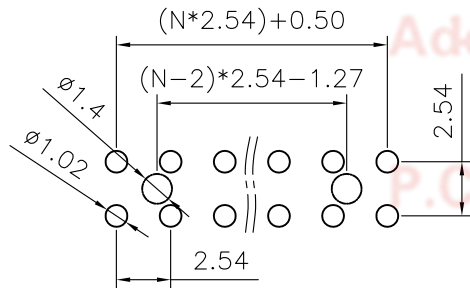
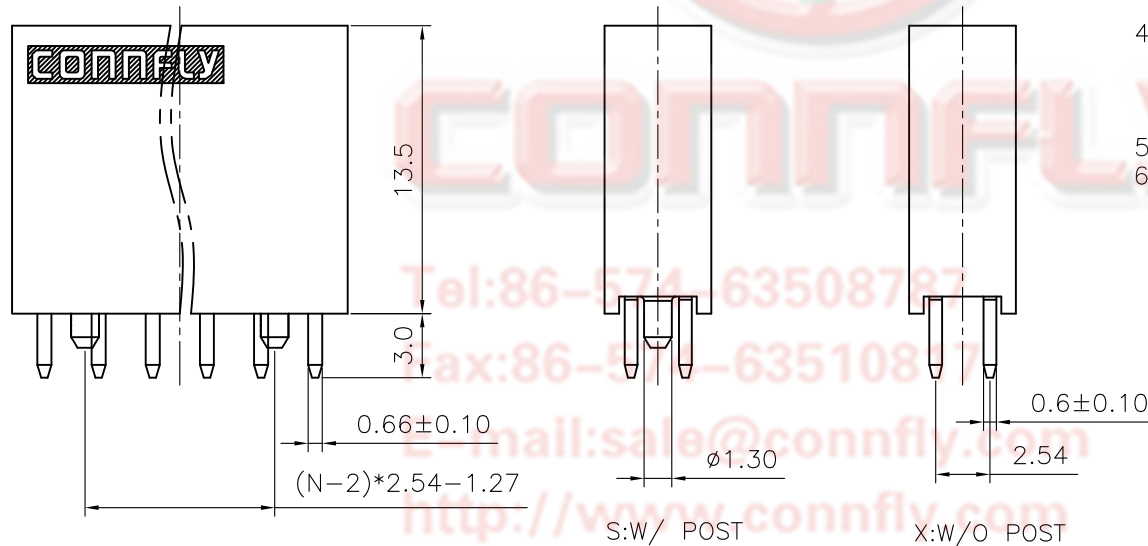
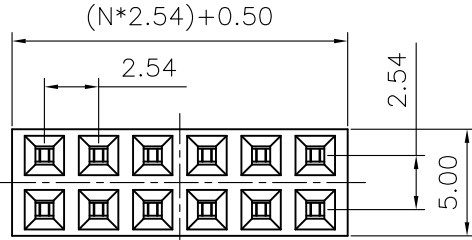


REV.	DESCRIPTION	DRAWN	CHECKED	APPROVED
A	NEW RELEASE	Andy_H 08/28/17'		LJC 08/28/17'

N:NUMBER OF CONTACTS/2



RECOMMEND PCB LAYOUT
(TOLERANCE=±0.05)

NOTES:

- Material:
Insulator: PBT With glass fiber. UL94 V-0.
Contact: Copper alloy.
- Electrical performance
Current rating: 1.9A.
Contact resistance: 20mΩ maximum.
Insulation resistance: 1000MΩ minimum.
Dielectric withstanding voltage: 500V AC(r.m.s) per 60s.
- Environment performance:
Temperature range: -55°C~+125°C.
- Mechanical performance:
Mating force: 150g per pin maximum.
Withdrawal force: 30g per pin minimum.
Press-In force: 8Kgf per maximum.
- Recommend PCB thickness: 1.6mm
- Product number code:

PC104-014 - XX X X X

No. of positions:
2x2 ~ 2x40

Color:
B: Black
A: Gray

POST SUPPORT
S:W/ POST
X:W/O POST

Contact plating:
0: Selective gold flash (contact area)
1: Selective 10u" gold(contact area)
3: Selective 30u" gold(contact area)
6: Full Matt Tin(General Mode)
8: Full gold flash

GENERAL TOLERANCE		ANGLE TOLERANCE		PROJECTION		TITLE	PC 104-014 FEMALE HEADER
X.	±0.60	X.	±5°	UNITS	mm	V/T Type	
.X	±0.38	.X	±3°	SHEET SIZE	A4	SERIES	PC104-014 SERIES
.XX	±0.25	.XX	±2°	晨翔电子有限公司 CONNFLY CONNFLY ELECTRONIC CO. LTD			
DRAWING TYPE		CUSTOMER					
SCALE	1:1	SHEET	1 OF 1				
DRAWING NO.		C-PC104-014-XXXXX-A					